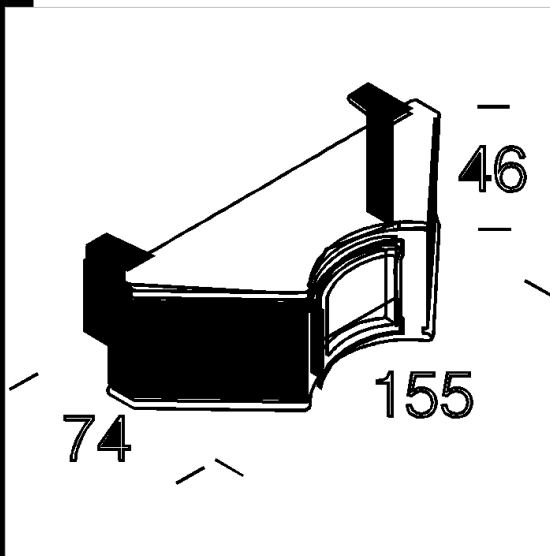


2059 two-lamp cap-joint

In die-cast aluminium. Shape specifically designed for connection with universal joint acc. 2018 or with acc. 2021.



Code	Kg	WTot	Colour
144719-00	0,00	0 W	BLACK

Prodotti



- 3087 Top



- 3086 Top



- 3085 Top



- 3084 Top

The reported luminous flux is the flux emitted by the light source with a tolerance of $\pm 10\%$ compared to the indicated value. The W tot column indicates the total wattage absorbed by the system without exceeding 10% of the indicated