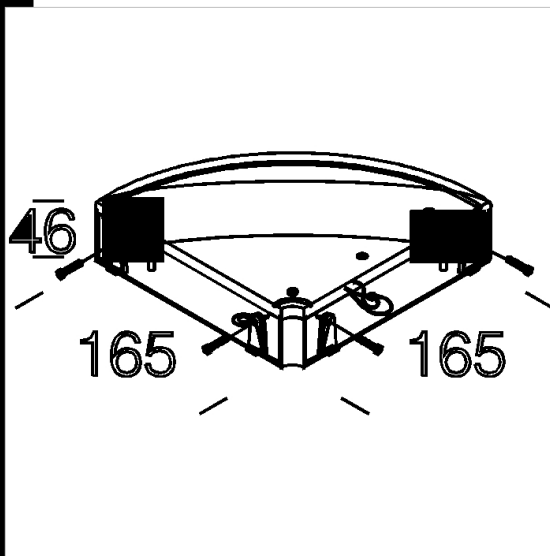




### 2051 angle joint

In die-cast aluminium.  
For L -connection.



Code	Kg	WTot	Colour
144701-00	0.00	0 W	BLACK

#### Products



- 3087 Top



- 3086 Top



- 3085 Top



- 3084 Top

The reported luminous flux is the flux emitted by the light source with a tolerance of  $\pm 10\%$  compared to the indicated value. The W tot column indicates the total wattage absorbed by the system without exceeding 10% of the indicated