



3086 Top

Housing: In extruded aluminium, with die-cast aluminium end caps. Supplied with lamella in ABS V0, frosted metal spray treatment.

Reflector: In high-gloss aluminium.

Coating: Metallic silver or polished white polyester resin powder coating, resistant to corrosion and to saline environments.

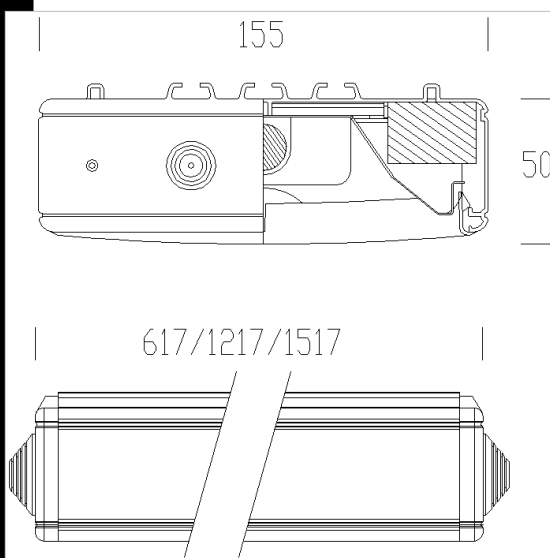
Electric gear: 230-240V/-50/60Hz power supply.

Regulations: Produced according to applicable EN60598-1CEI 34-21 standards, degree of protection according to EN 60529 standards.

Download

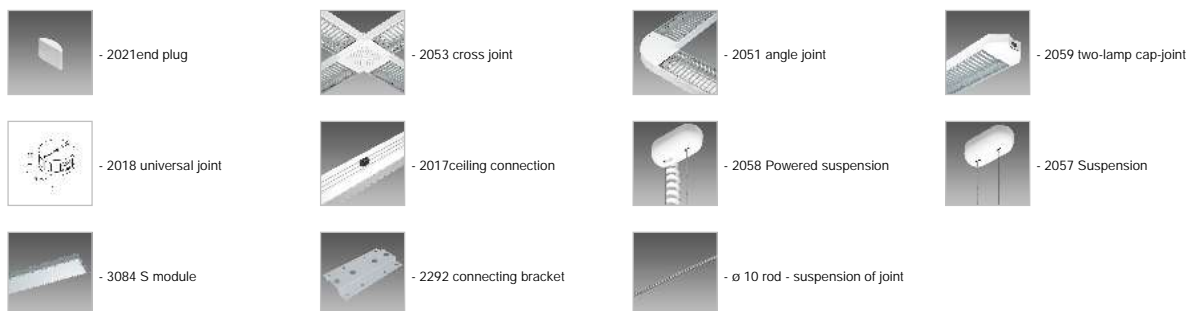
DXF 2D
- 3086.dxf

Montaggi
- 3084-5-6-7_top_15.pdf



Code	Gear	Kg	Lumen-K-CRI	WTot	Base	Colour
144671-07	CELL-E	3.80	FL 1x28-2650lm-4000K-Ra 1b	30 W	G5	GREY
144675-07	CELL-E	3.80	FL 1x28-2650lm-4000K-Ra 1b	30 W	G5	WHITE
144673-07	CNR-L	4.40	FL 1x49-4350lm-4000K-Ra 1b	55 W	G5	GREY
144677-07	CELL-E	4.40	FL 1x49-4350lm-4000K-Ra 1b	55 W	G5	WHITE
144671-00	CELL	3.32	FL 1x28-2650lm-4000K-Ra 1b	30 W	G5	GREY
144675-00	CELL	3.32	FL 1x28-2650lm-4000K-Ra 1b	30 W	G5	WHITE
144675-12	CELL-D	3.40	FL 1x28-2650lm-4000K-Ra 1b	32 W	G5	WHITE
144671-12	CELL-D	3.32	FL 1x28-2650lm-4000K-Ra 1b	30 W	G5	GREY
144673-00	CELL	3.95	FL 1x49-4350lm-4000K-Ra 1b	55 W	G5	GREY
144674-00	CELL	2.00	FL 1x14-1250lm-4000K-Ra 1b	15 W	G5	WHITE
144677-00	CELL	3.95	FL 1x49-4350lm-4000K-Ra 1b	55 W	G5	WHITE
144670-00	CELL	2.00	FL 1x14-1250lm-4000K-Ra 1b	15 W	G5	GREY9007
144673-12	CELL-D	3.92	FL 1x49-4350lm-4000K-Ra 1b	54 W	G5	GREY
144677-12	CELL-D	3.95	FL 1x49-4350lm-4000K-Ra 1b	51 W	G5	WHITE

Accessories



The reported luminous flux is the flux emitted by the light source with a tolerance of $\pm 10\%$ compared to the indicated value. The W tot column indicates the total wattage absorbed by the system without exceeding 10% of the indicated