



3085 Top

Housing: In extruded aluminium, with die-cast aluminium end caps and clear Plexiglas screen with tiny grooves on the inside, smooth on the outside, dust-proof.

Reflector: In high-gloss aluminium.

Coating: Metallic silver or polished white polyester resin powder coating, resistant to corrosion and to saline environments.

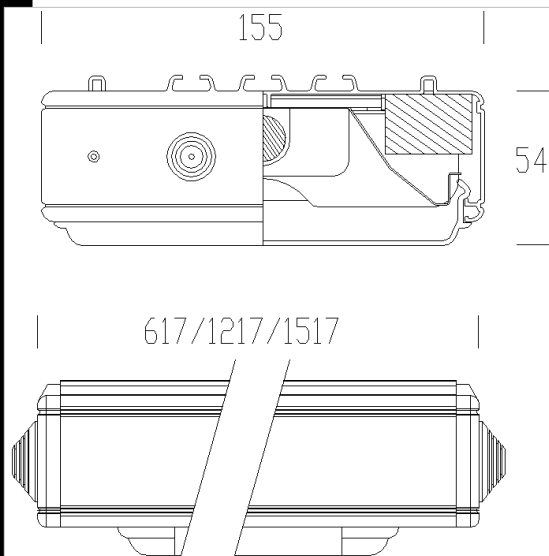
Electric gear: 230-240V/-50/60Hz power supply.

Regulations: Produced according to applicable EN60598-1CEI 34-21 standards, degree of protection according to EN 60529 standards.

Download

DXF 2D
- 3085.dxf

Montaggi
- 3084-5-6-7_top_15.pdf



Code	Gear	Kg	Watt	Base	Lamps	Colour
144667-00	CELL	4,37	FL 2x49	G5	4350lm-4000K-Ra 1b	WHITE
144661-12	CELL-D	3,44	FL 2x28	G5	2650lm-4000K-Ra 1b	SANDBLASTED SILVER
144663-12	CELL-D	4,30	FL 2x49	G5	4350lm-4000K-Ra 1b	SANDBLASTED SILVER
144665-12	CELL-D	3,58	FL 2x28	G5	2650lm-4000K-Ra 1b	WHITE
144667-12	CELL-D	4,32	FL 2x49	G5	4350lm-4000K-Ra 1b	WHITE
144665-07	CELL-E	3,80	FL 2x28	G5	2650lm-4000K-Ra 1b	WHITE
144663-07	CELL-E	5,00	FL 2x49	G5	4350lm-4000K-Ra 1b	SANDBLASTED SILVER
144667-07	CELL-E	5,00	FL 2x49	G5	4350lm-4000K-Ra 1b	WHITE
144660-00	CELL	2,20	FL 2x14	G5	1250lm-4000K-Ra 1b	SANDBLASTED SILVER
144664-00	CELL	2,20	FL 2x14	G5	1250lm-4000K-Ra 1b	WHITE
144461-07	CELL-E	0,00	FL 2x28	G5	2650lm-4000K-Ra 1b	ARGENTO SAB.
144661-00	CELL	3,44	FL 2x28	G5	2650lm-4000K-Ra 1b	SANDBLASTED SILVER
144665-00	CELL	3,44	FL 2x28	G5	2650lm-4000K-Ra 1b	WHITE
144663-00	CELL	4,30	FL 2x49	G5	4350lm-4000K-Ra 1b	SANDBLASTED SILVER

Accessories

