

3084 Top

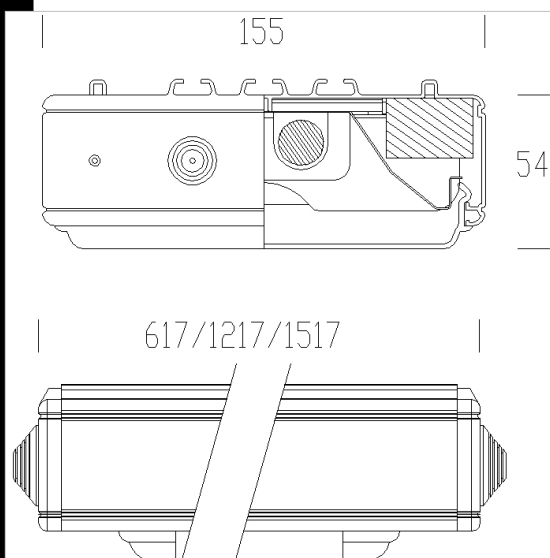
Housing: In extruded aluminium, with die-cast aluminium end caps and clear Plexiglas screen with tiny grooves on the inside, smooth on the outside, dust-proof.

Reflector: In high-gloss aluminium.

Coating: Metallic silver or polished white polyester resin powder coating, resistant to corrosion and to saline environments.

Electric gear: 230-240V/-50/60Hz power supply.

Regulations: Produced according to applicable EN60598-1CEI 34-21 standards, degree of protection according to EN 60529 standards.



Download

DXF 2D
- 3084.dxf

Montaggi
- 3084-5-6-7_top_t5.pdf

Code	Gear	Kg	Lumen-K-CRI	WTot	Base	Colour
144691-07	CELL-E	4.00	FL 1x28-2650lm-4000K-Ra 1b	30 W	G5	GREY
144597-07	CELL-E	0.00	FL 1x49-4350lm-4000K-Ra 1b	0 W	G5	WHITE
144691-12	CELL-D	3.38	FL 1x28-2650lm-4000K-Ra 1b	31 W	G5	SANDBLASTED SILVER
144695-12	CELL-D	3.38	FL 1x28-2650lm-4000K-Ra 1b	31 W	G5	WHITE
144697-12	CELL-D	4.15	FL 1x49-4350lm-4000K-Ra 1b	51 W	G5	WHITE
144693-12	CELL-D	4.15	FL 1x49-4350lm-4000K-Ra 1b	51 W	G5	GREY
144697-00	CELL	4.15	FL 1x49-4350lm-4000K-Ra 1b	55 W	G5	WHITE
144690-00	CELL	2.10	FL 1x14-1250lm-4000K-Ra 1b	15 W	G5	GREY
144693-07	CELL-E	4.70	FL 1x49-4350lm-4000K-Ra 1b	55 W	G5	GREY
144695-07	CELL-E	4.00	FL 1x28-2650lm-4000K-Ra 1b	30 W	G5	WHITE
144694-00	CELL	2.10	FL 1x14-1250lm-4000K-Ra 1b	15 W	G5	WHITE
144695-00	CELL	3.38	FL 1x28-2650lm-4000K-Ra 1b	30 W	G5	WHITE
144691-00	CELL	3.38	FL 1x28-2650lm-4000K-Ra 1b	30 W	G5	GREY

Accessories



- 2021 end plug



- 2053 cross joint



- 2051 angle joint



- 2059 two-lamp cap-joint



- 2018 universal joint



- 2017 ceiling connection



- 2058 Powered suspension



- 2057 Suspension



- 3084 S module



- 2292 connecting bracket



- ø 10 rod - suspension of joint

The reported luminous flux is the flux emitted by the light source with a tolerance of $\pm 10\%$ compared to the indicated value. The W tot column indicates the total wattage absorbed by the system without exceeding 10% of the indicated