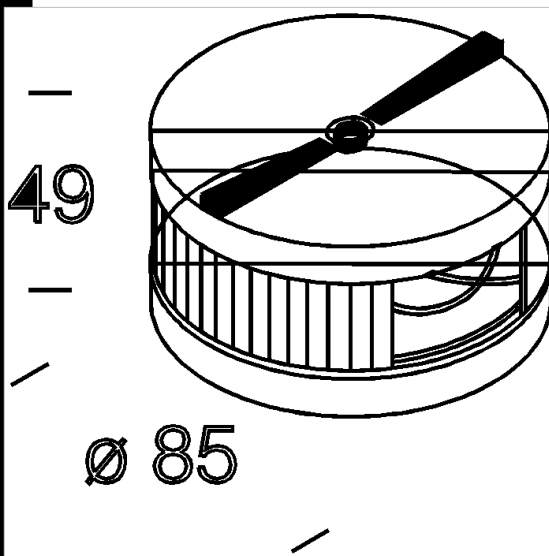
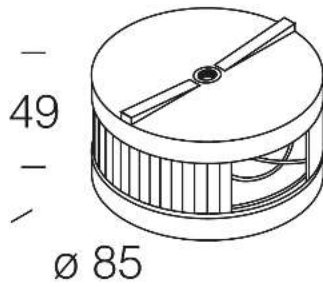




2018 universal joint

Can be used as suspension unit, by rod or wire, for junction and rotation (90° to 270°) of one and/or two-lamp modules.
Threaded for Ø10 rods and suspension device.



Code	Kg	WTot	Colour
144520-00	0.00	0 W	BLACK
144522-00	0.00	0 W	WHITE
144521-00	0.31	0 W	GREY

Products



- 3085 Top



- 3086 Top



- 3087 Top



- 3620 Arco double monolamp



- 3621 Arco double bilamp



- 3611 Arco single bilamp



- 3084 Top



- 3610 Arco single monolamp

The reported luminous flux is the flux emitted by the light source with a tolerance of ± 10% compared to the indicated value. The W tot column indicates the total wattage absorbed by the system without exceeding 10% of the indicated