



3085 Top

Housing: In extruded aluminium, with die-cast aluminium end caps and clear Plexiglas screen with tiny grooves on the inside, smooth on the outside, dust-proof.

Reflector: In high-gloss aluminium.

Coating: Metallic silver or polished white polyester resin powder coating, resistant to corrosion and to saline environments.

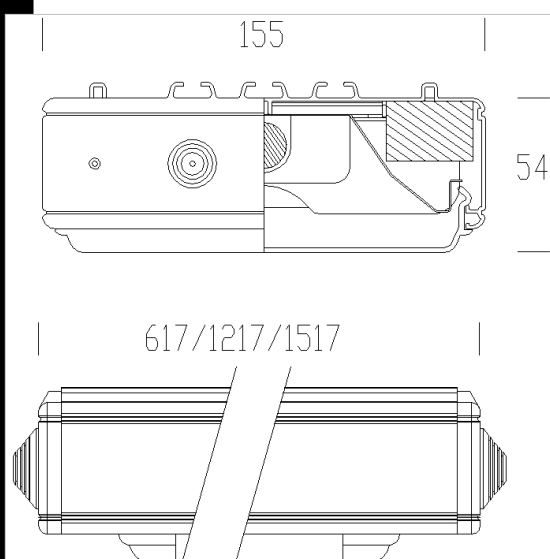
Electric gear: 230-240V/-50/60Hz power supply.

Regulations: Produced according to applicable EN60598-1CEI 34-21 standards, degree of protection according to EN 60529 standards.

Download

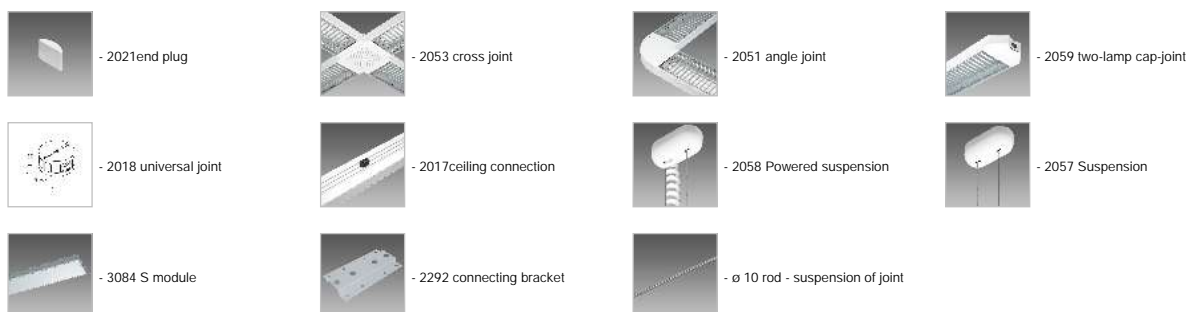
DXF 2D
- 3085.dxf

Montaggi
- 3084-5-6-7_top_15.pdf



Code	Gear	Kg	Lumen-K-CRI	WTot	Base	Colour
144663-07	CELL-E	5.00	FL 2x49-4350lm-4000K-Ra 1b	105 W	G5	GREY
144461-07	CELL-E	0.00	FL 2x28-2650lm-4000K-Ra 1b	0 W	G5	
144665-00	CELL	3.44	FL 2x28-2650lm-4000K-Ra 1b	60 W	G5	WHITE
144663-00	CELL	4.30	FL 2x49-4350lm-4000K-Ra 1b	105 W	G5	GREY
144661-12	CELL-D	3.44	FL 2x28-2650lm-4000K-Ra 1b	64 W	G5	SANDBLASTED SILVER
144665-12	CELL-D	3.58	FL 2x28-2650lm-4000K-Ra 1b	64 W	G5	WHITE
144664-00	CELL	2.20	FL 2x14-1250lm-4000K-Ra 1b	31 W	G5	WHITE
144665-07	CELL-E	3.80	FL 2x28-2650lm-4000K-Ra 1b	60 W	G5	WHITE
144661-00	CELL	3.44	FL 2x28-2650lm-4000K-Ra 1b	60 W	G5	GREY
144660-00	CELL	2.20	FL 2x14-1250lm-4000K-Ra 1b	31 W	G5	GREY
144667-07	CELL-E	5.00	FL 2x49-4350lm-4000K-Ra 1b	111 W	G5	WHITE
144663-12	CELL-D	4.30	FL 2x49-4350lm-4000K-Ra 1b	106 W	G5	SANDBLASTED SILVER
144667-12	CELL-D	4.32	FL 2x49-4350lm-4000K-Ra 1b	106 W	G5	WHITE

Accessories



The reported luminous flux is the flux emitted by the light source with a tolerance of $\pm 10\%$ compared to the indicated value. The W tot column indicates the total wattage absorbed by the system without exceeding 10% of the indicated