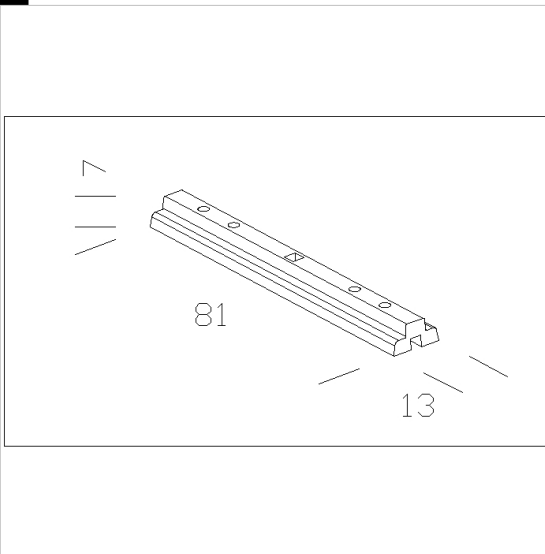
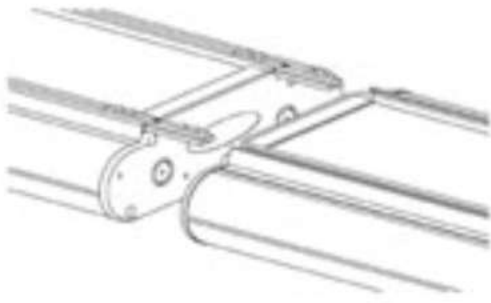




2290 straight joint

straight joint



Code	Kg	WTot	Colour
143997-00	0.09	0 W	NATURAL

Products



- 3877 Channel - direct light



- 3878 Channel - direct - indirect



- 2233 Giano 2 T5 - bilamp

The reported luminous flux is the flux emitted by the light source with a tolerance of $\pm 10\%$ compared to the indicated value. The W tot column indicates the total wattage absorbed by the system without exceeding 10% of the indicated