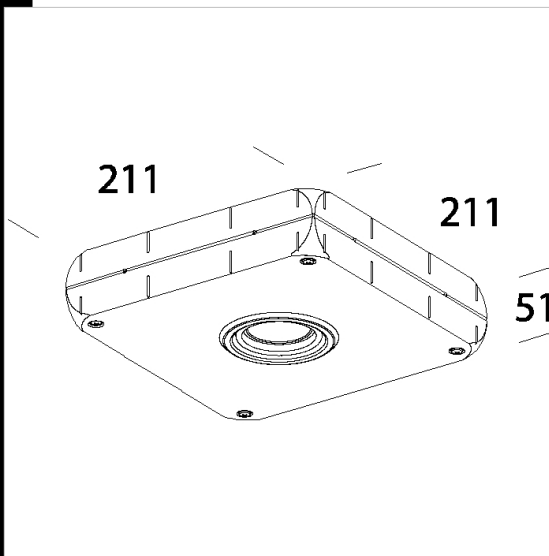




### 2232 Giano - cube with projector

Housing: Made of die-cast aluminium. with adjustable floodlight aluminium.  
 Made of die-cast aluminium. For "L", "T" or "X"  
 Complete with spot  
 Regulations: Produced according to applicable EN60598-1CEI 34-21 standards, degree of protection according to EN 60529 standards.



Code	Gear	Kg	Lumen-K-CRI	WTot	Base	Colour
143877-00	CLD CELL	1.26	LED RGB-R 28lm-G 48lm-B 12lm--	4 W		GREY
143875-00	CTL	1.26	DICR 35 IRC-4100cd-3000K-	0 W	GU5.3	GREY
143878-00	CLD CELL	1.26	LED RGB-R 28lm-G 48lm-B 12lm--	4 W		WHITE
143876-00	CTL	1.26	DICR 35 IRC-4100cd-3000K-	0 W	GU5.3	WHITE

**Download**

DXF 2D  
 - 2232.dxf

The reported luminous flux is the flux emitted by the light source with a tolerance of  $\pm 10\%$  compared to the indicated value. The W tot column indicates the total wattage absorbed by the system without exceeding 10% of the indicated