

CTL

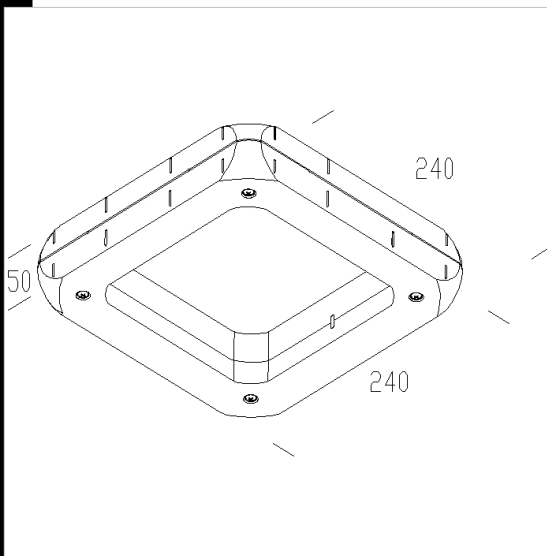
Download

DXF 2D  
- 392.dxf



### 392 simple joint

Made of die-cast aluminium. For "L", "T" or "X"



Code	Kg	WTot	Colour
143870-00	0.95	0 W	GREY
143871-00	0.95	0 W	WHITE

#### Products



- 2230 Giano 1 T5



- 2231 Giano 2 T5

The reported luminous flux is the flux emitted by the light source with a tolerance of  $\pm 10\%$  compared to the indicated value. The W tot column indicates the total wattage absorbed by the system without exceeding 10% of the indicated