

2231 Giano 2 T5



Housing: Extruded aluminium with die-cast end caps.
 Optic unit: Longitudinal and transversal double parabolic dark-light louvres built from 99.99 high-gloss, anti-glare, anti-iridescence, very low luminance aluminium.

Coating: Metallic silver or polished white polyester resin powder coating, resistant to corrosion and to saline environments

Lampholder: Polycarbonate with phosphorous bronze contacts.

Electric gear: 230V/50Hz (CNR)-230V240-50/60(CELL) power supply.

Hard wire, cross-section 0.50 sqmm and high-temperature resistant (up to 90°C) PVC-HT sheath, in accordance with CEI 20-20 standards.

2P+T terminal block (maximum allowed lead cross-section: 2.5 sqmm).

Standard supply: The snap-on optic unit remains attached by safety cords.

Cover: Optionally, direct light only using acc. 375

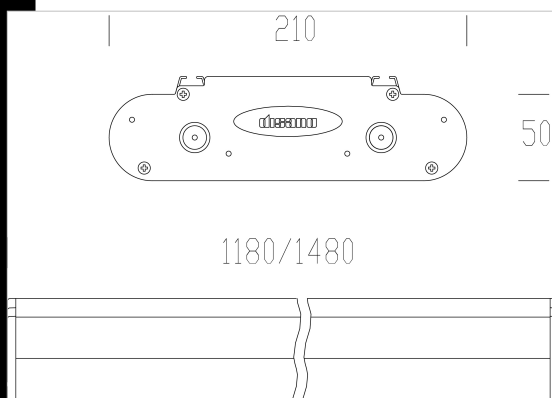
Regulations: Manufactured in compliance with EN60598 - CEI 34 - 21 standards. The level of protection complies with the EN60529 standard.

Other versions: with electronic dimming ballast

Emergency version: In maintained version. In the event of a black-out a single lamp connected to the back-up circuit stays on. Run time 60 minutes.

On request: A "Main Control System" to supervise the emergency versions (see chapter).

On request: versions with 3-hour battery life.



Download

DXF 2D
 - 2230-31.dxf

Montaggi
 - 2230_mont.dxf
 - 377_montaggio staffa.dxf

Code	Gear	Kg	Watt	Base	Lamps	Colour
143822-3101	CELL-E	4,10	FL 2x35	G5	3350lm-4000K-Ra 1b	SANDBLASTED SILVER
143858-00	CELL	4,66	FL 2x49	G5	4350lm-4000K-Ra 1b	WHITE
143822-00	CELL	4,66	FL 2x35	G5	3350lm-4000K-Ra 1b	SANDBLASTED SILVER
143822-07	CELL-E	4,90	FL 2x35	G5	3350lm-4000K-Ra 1b	SANDBLASTED SILVER
143821-12	CELL-D	3,98	FL 2x28	G5	2650lm-4000K-Ra 1b	SANDBLASTED SILVER
143822-12	CELL-D	4,74	FL 2x35	G5	3350lm-4000K-Ra 1b	SANDBLASTED SILVER
143823-12	CELL-D	4,58	FL 2x49	G5	4350lm-4000K-Ra 1b	SANDBLASTED SILVER
143856-12	CELL-D	3,68	FL 1x28	G5	2650lm-4000K-Ra 1b	WHITE
143857-12	CELL-D	4,72	FL 2x35	G5	3350lm-4000K-Ra 1b	WHITE
143858-12	CELL-D	4,60	FL 2x49	G5	4350lm-4000K-Ra 1b	WHITE
143856-3101	CELL-E	0,00	FL 2x28	G5	2650lm-4000K-Ra 1b	WHITE
143857-00	CELL	4,66	FL 2x35	G5	3350lm-4000K-Ra 1b	WHITE
143855-00	CELL	3,20	FL 2x14	G5	1250lm-4000K-Ra 1b	WHITE
143823-07	CELL-E	5,42	FL 2x49	G5	4350lm-4000K-Ra 1b	SANDBLASTED SILVER
143823-00	CELL	4,66	FL 2x49	G5	4350lm-4000K-Ra 1b	SANDBLASTED SILVER
143820-00	CELL	2,20	FL 2x14	G5	1250lm-4000K-Ra 1b	SANDBLASTED SILVER
143856-00	CELL	3,76	FL 2x28	G5	2650lm-4000K-Ra 1b	WHITE
143857-3101	CELL-E	0,00	FL 2x35	G5	3350lm-4000K-Ra 1b	WHITE
143856-07	CELL-E	4,52	FL 2x28	G5	2650lm-4000K-Ra 1b	WHITE
143823-3101	CELL-E	4,20	FL 2x49	G5	4350lm-4000K-Ra 1b	SANDBLASTED SILVER
143821-3101	CELL-E	3,50	FL 2x28	G5	2650lm-4000K-Ra 1b	SANDBLASTED SILVER
143821-07	CELL-E	4,52	FL 2x28	G5	2650lm-4000K-Ra 1b	SANDBLASTED SILVER
143821-00	CELL	3,68	FL 2x28	G5	2650lm-4000K-Ra 1b	SANDBLASTED SILVER
143857-07	CELL-E	4,90	FL 2x35	G5	3350lm-4000K-Ra 1b	WHITE
143858-07	CELL-E	4,90	FL 2x49	G5	4350lm-4000K-Ra 1b	WHITE
143858-3101	CELL-E	0,00	FL 2x49	G5	4350lm-4000K-Ra 1b	WHITE

Accessori



- 392 simple joint



- 2292 connecting bracket



- 2518 simple suspension



- 375 cover

Accessori



- 377



- 390 giano S1 module



- 2514



- 376 ceiling mount



- 2513