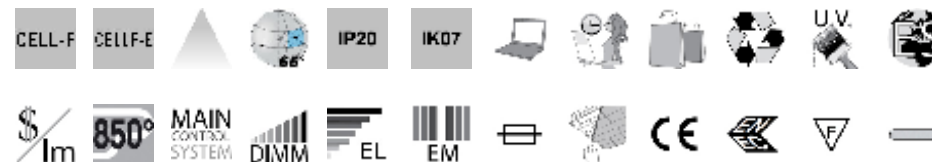
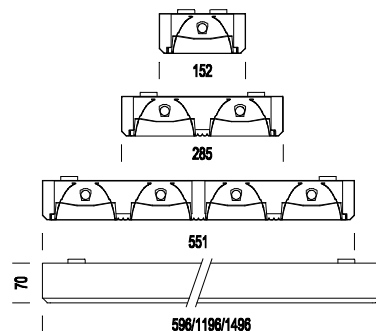
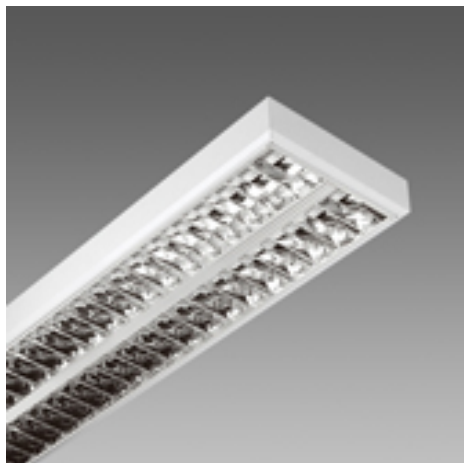


752 Supercomfort T5 - high gloss louvre 99.99



Code	Gear	Kg	Colour	Dimensions	lamp
143521-00	CELL-F	1.90	white	596x285x70	FL 2x14-G5-1250lm-4000K-Ra 1b
143522-00	CELL-F	2.70	white	596x551x70	FL 4x14-G5-1250lm-4000K-Ra 1b
143523-00	CELL-F	5.20	white	1196x152x70	FL 1x28-G5-2650lm-4000K-Ra 1b
143524-00	CELL-F	3.60	white	1196x285x70	FL 2x28-G5-2650lm-4000K-Ra 1b
143525-00	CELL-F	5.40	white	1196x551x70	FL 4x28-G5-2650lm-4000K-Ra 1b
143526-00	CELL-F	3.60	white	1496x152x70	FL 1x35-G5-3350lm-4000K-Ra 1b
143527-00	CELL-F	4.20	white	1496x185x70	FL 2x35-G5-3350lm-4000K-Ra 1b
143522-07	CELLF-E	3.80	white	596x551x70	FL 4x14-G5-1250lm-4000K-Ra 1b
143524-07	CELLF-E	4.70	white	1196x285x70	FL 2x28-G5-2650lm-4000K-Ra 1b
143525-07	CELLF-E	6.50	white	1196x551x70	FL 4x28-G5-2650lm-4000K-Ra 1b
143527-07	CELLF-E	5.30	white	1496x285x70	FL 2x35-G5-3350lm-4000K-Ra 1b
143521-12	CELL-D	1.90	white	596x285x70	FL 2x14-G5-1250lm-4000K-Ra 1b
143522-12	CELL-D	2.70	white	596x551x70	FL 4x14-G5-1250lm-4000K-Ra 1b
143524-12	CELL-D	3.60	white	1196x285x70	FL 2x28-G5-2650lm-4000K-Ra 1b
143525-12	CELL-D	5.40	white	1196x551x70	FL 4x28-G5-2650lm-4000K-Ra 1b
143527-12	CELL-D	4.20	white	1496x285x70	FL 2x35-G5-3350lm-4000K-Ra 1b
143523-12	CELL-D	3.60	white	1196x152x70	FL 1x28-G5-2650lm-4000K-Ra 1b
143526-12	CELL-D	4.80	white	1496x152x70	FL 1x35-G5-3350lm-4000K-Ra 1b

Housing: In sheet steel

Optics: Dark light double parabolic louvres, lengthwise and crosswise in high-gloss, plated aluminium, anti-dazzle and anti-iridescence, very low luminance 65°.

Painting: By white acrylic powder, upon phosphate treatment, UV-stabilized, anti-yellowing.

Lampholder: In polycarbonate, with phosphor bronze contacts.

Electric gear: 230V/50Hz power supply with traditional or electronic ballast for T5 lamps. Hard wire 0.50 sqmm cross-section and PVC-HT sheath resistant up to 90°C according to CEI 20-20 standards.

2P+T terminal block with fuseholder, maximum allowed lead cross-section of 2.5 sqmm.

Standard supply: Snap fastening optics, which remain attached by nylon safety cords.

Equipment: 3.15A protection fuse.

Regulations: Produced according to applicable EN60598-1 CEI 34 - 21 standards, IP20IK07 degree of protection according to EN 60529 standards.

This product can be installed on normally inflammable surfaces. They are provided with ENEC European certification.

Emergency version: In the event of a blackout, one lamp connected to the emergency circuit remains on (maintained version), thus avoiding the inconvenience usually caused by sudden power failure. Its emergency run time is 60 minutes. When power supply is restored, the battery recharges automatically.