

705 Airone

Housing: In sheet steel.

Reflector: in anti-glare matt white aluminium.

Diffuser: with micropunched steel diffuser complete with anti-dazzle plexiglass opal diffuser.

Painting: white acrylic powder coating, UV-stabilized, anti-yellowing, upon phosphate treatment.

Lampholder: In polycarbonate, with contacts in phosphor bronze. Socket 2G11.

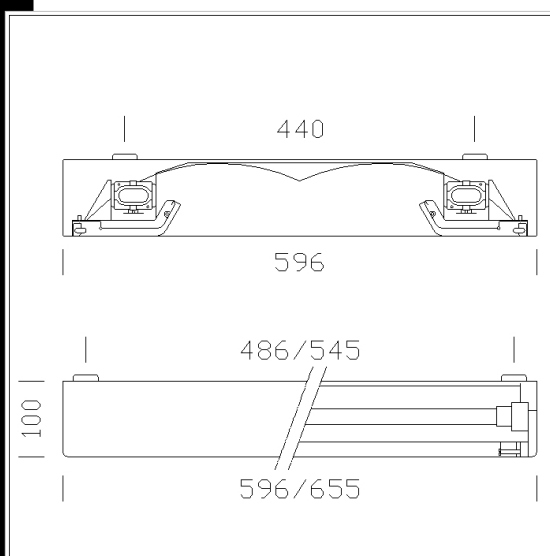
Electric gear: 230V/50Hz power supply. Hard wire, 0.50 sqmm cross section and PVC-HT sheath, resistant up to 90°C, according to CEI 20-20 standards. 2P + T terminal block, with maximum allowed lead cross section of 2.5 sqmm.

Equipment: 6.3 A fuse. Washers for fitting on ceiling.

Mounting: Ceiling or suspension.

Regulations: Produced according to applicable EN60598-1 CEI 34-21 standards, IP40IK08 degree of protection according to EN 60529 standards. This product can be installed on normally inflammable surfaces.

Emergency version: In the event of a blackout, one lamp connected to the emergency circuit remains on (maintained version), thus avoiding the inconvenience usually caused by sudden power failure. Its emergency run time is 60 minutes. When power supply is restored, the battery recharges automatically.



Code	Gear	Kg	Watt	Base	Lamps	Colour
143111-00	CELL-F	6,10	FLC 2x55L	2G11	4800lm-4000K-Ra 1b	WHITE
143111-07	CELLF-E	6,60	FLC 2x55L	2G11	4800lm-4000K-Ra 1b	WHITE



Download

DXF 2D
- d705.dxf

Montaggi
- 705-805-6_airone.pdf