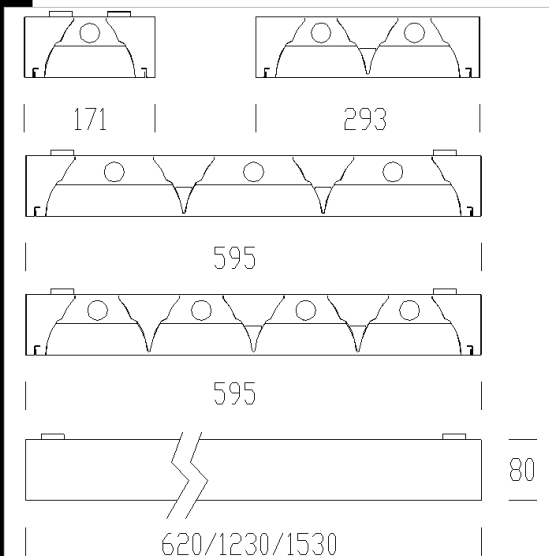




775 Comfort T8 - matt 99.99

Housing: In sheet steel.
 Optics: Dark light double parabolic louvres, in matt aluminium 99.99. Anti-dazzle and anti-iridescence, very low luminance. PVD treatment to increase light efficiency.
 Painting: with polyester powder, UV-stabilized.
 Lampholder: In polycarbonate, with contacts in phosphor bronze. Socket G13.
 Electric gear: 230V/50Hz power supply. Hard wire, 0.50 sq mm cross section and PVC-HT sheath resistant up to 90°, according to CEI 20-20 standards.
 2P+T terminal block with maximum allowed lead cross section of 2.5 sq mm.
 Equipment: 6.3A protection fuse
 Standard supply: Snap fastening optics, which remain attached by safety cords.
 Mounting: Ceiling or suspension.
 Regulations: Produced according to applicable EN60598-1 CEI 34 - 21 standards, IP20IK07 degree of protection according to EN 60529 standards. They have obtained the ENEC European Certificate of Conformity. These products can be installed on normally inflammable surfaces.
 Emergency light version: in maintained version. In the event of a "black out", one single lamp connected to the back-up circuit stays on. Run time 60 minutes. Sketch (see chapter).
 Versions with 3-hour battery life upon request.



- EL CELF-E
- IP20 CEL-F U.V.
- EM
- DIMM MAIN CONTROL SYSTEM
- IK07 UGR<19
- A+B=
- 65°

Download
 DXF 2D
 - 773.dxf
 - 773_75_77.dxf
 3DS
 - 773_comfort_2x1230.3ds
 3DM
 - 773_comfort_2x1230.3dm
 Montaggi
 - 77x_comfort_2008.pdf

Code	Gear	Kg	Lumen-K-CRI	WTot	Base	Colour
141105-09	CELF-E	5.20	FL 2x58-5200lm-4000K-Ra 1b	116 W	G13	WHITE
141103-08	CEL-F	2.60	FL 2x18-1350lm-4000K-Ra 1b	38 W	G13	WHITE
141101-09	CELF-E	3.69	FL 1x36-3350lm-4000K-Ra 1b	40 W	G13	WHITE
141106-09	CELF-E	7.00	FL 3x36-3350lm-4000K-Ra 1b	110 W	G13	WHITE
141102-09	CELF-E	4.30	FL 1x58-5200lm-4000K-Ra 1b	59 W	G13	WHITE
141101-08	CEL-F	3.07	FL 1x36-3350lm-4000K-Ra 1b	37 W	G13	WHITE
141107-08	CEL-F	3.70	FL 4x18-1350lm-4000K-Ra 1b	73 W	G13	WHITE
141108-08	CEL-F	6.50	FL 4x36-3350lm-4000K-Ra 1b	146 W	G13	WHITE
141106-08	CEL-F	6.50	FL 3x36-3350lm-4000K-Ra 1b	108 W	G13	WHITE
141107-09	CELF-E	4.30	FL 4x18-1350lm-4000K-Ra 1b	76 W	G13	WHITE
141104-08	CEL-F	4.21	FL 2x36-3350lm-4000K-Ra 1b	70 W	G13	WHITE
141108-09	CELF-E	7.00	FL 4x36-3350lm-4000K-Ra 1b	149 W	G13	WHITE
141105-08	CEL-F	4.70	FL 2x58-5200lm-4000K-Ra 1b	113 W	G13	WHITE
141102-08	CEL-F	3.76	FL 1x58-5200lm-4000K-Ra 1b	56 W	G13	WHITE
141104-09	CELF-E	4.95	FL 2x36-3350lm-4000K-Ra 1b	73 W	G13	WHITE

Accessories



- 2512 wire



- 2518 simple suspension

The reported luminous flux is the flux emitted by the light source with a tolerance of ± 10% compared to the indicated value. The W tot column indicates the total wattage absorbed by the system without exceeding 10% of the indicated