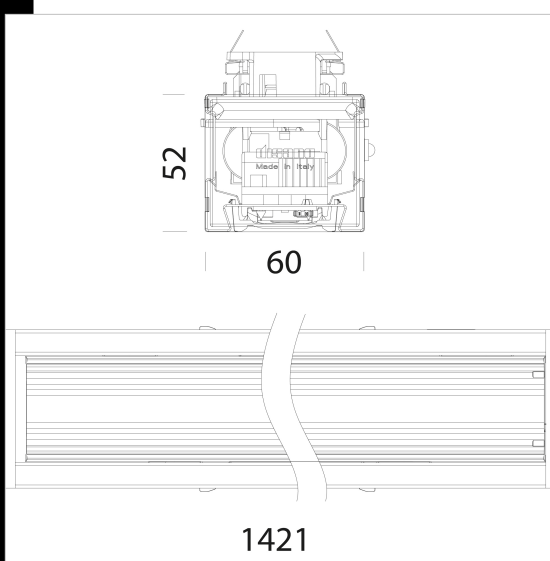


6600 Techno System - 90° symmetric - CRI 80



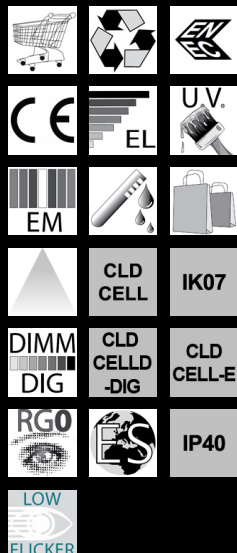
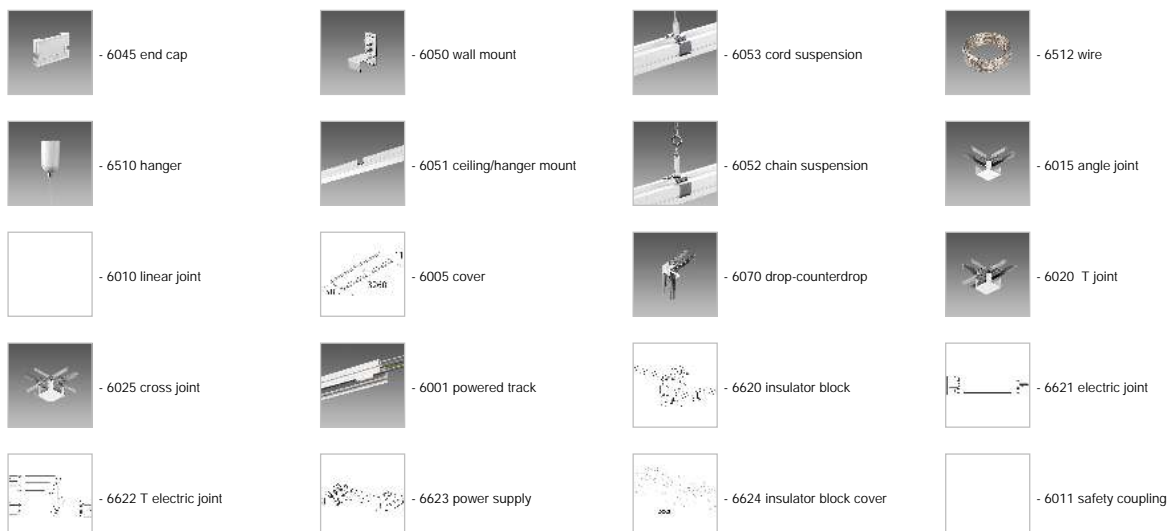
With its simple, modern design Techno System blends perfectly into any space; available with a length of 1421 mm (575/1139/1703/2267/2831/3395 mm upon request) it comes different versions. Housing: in rolled galvanized steel, pre-coated with polyester resin, UV-stabilised, with rounded edges and ABS ends. Equipment: 5-pole insulator block with phase selection (7-pole insulator block for the EMergency and DALI DIMMable versions). External clamping system for track hooking. Upon request: insulator block with phase selection with up to 11 conductors. The new Techno System comes in a wide range of optics with different sets of LED sources. This allows the lamp to fit any system and obtain the best lighting output with the greatest energy efficiency. Optics: high-efficiency lens in PMMA capable of withstanding high temperatures and UV rays, including different photometric distributions. Produced according to applicable EN60598-1 CEI 34-21 standards, degree of protection according to EN 60529 standards. This lighting fixture meets the global standards of the International Food Safety (IFS), the British Retail Consortium (BRC) and the HACCP Directive regarding the safety of the lighting systems in the food industry. In any case, be sure you contact appointed designers and Disano's consultancy office to check the compatibility of materials with the food products processed and in all industrial environments where sanitizing systems are installed. LED characteristics: Power factor: 0.95. Luminous flux maintenance: (L90B10): 30000h. (L85B10): 50000h. (L75B10): 80000h. Photobiological risk class: exempt group Ambient temperature: -10°C to + 40°C

Upon request: 3000K-6500K versions and products fitting special LED sources for the FOOD sector (Red Meat, Marbled Meat, Fish, Bread &, Pastries and Produce). Upon request: version with emergency wiring with centralized power supply CLD CELL-EC (subcode -0050).



Code	Gear	Kg	Lumen Output-K-CRI	WTot	Colour
133003-60	CLD CELL	1,54	LED-8838lm-4000K-CRI 80	67 W	BIANCO
133003-6007	CLD CELL-E	2,50	LED-8838lm-4000K-CRI 80	72 W	BIANCO
133003-6041	CLD CELL-D-D	1,62	LED-8838lm-4000K-CRI 80	67 W	BIANCO
133004-60	CLD CELL	1,50	LED HP-9617lm-4000K-CRI 80	77 W	BIANCO
133004-6007	CLD CELL-E	2,50	LED HP-9617lm-4000K-CRI 80	77 W	BIANCO

Accessori



Download
DXF 2D
- technosystem.dxf
3DS
- disano_6600_TechnoSystem.3ds
3DM
- disano_6600_TechnoSystem.3dm
Montaggi
- Technosystem_apparecchi.pdf

The reported luminous flux is the flux emitted by the light source with a tolerance of ± 10% compared to the indicated value. The W tot column indicates the total wattage absorbed by the system without exceeding 10% of the indicated