

6003 power track – without connector

Frame structure for the creation of continuous row of Techno System fixtures or in combination with other products (see table). Simple and quick mounting as a ceiling or a suspension fixture thanks to the wide range of accessories. The track is designed to house 5-pole or 7-pole terminal block (the latter to be used for the EMergency and DIMMable DALI versions) or 11-pole block with rapid connectors.

Track housing: painted rolled steel with rounded edges for hand safety and galvanized steel previously stove-enamelled with a UV-stabilised, anti-yellowing white polyester resin applied after phosphate treatment; supplied with cable 1,5 mm².

Produced according to applicable EN60598-1 CEI 34-21 standards, degree of protection according to EN 60529 standards.

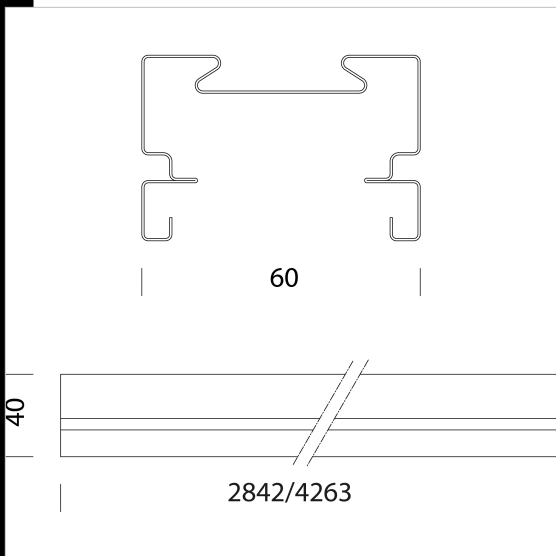
The power track 6003 is made to be used without any fixed connector. In this case luminaires are mounted with accessory 6620 (mobile disconnecter), by positioning any number of luminaires anywhere along the track. Further lengths and special configurations can be ordered after verification upon the buyer's request.

Designed to allow the mounting of luminaires of the Techno System series anywhere along the track. Purchase acc. 6620 separately.

132970-00 - 5 poles 132971-00 - 7 poles 132972-00 - 11 poles 132975-00 - 5 poles 132976-00 - 7 poles 132977-00 - 11 poles

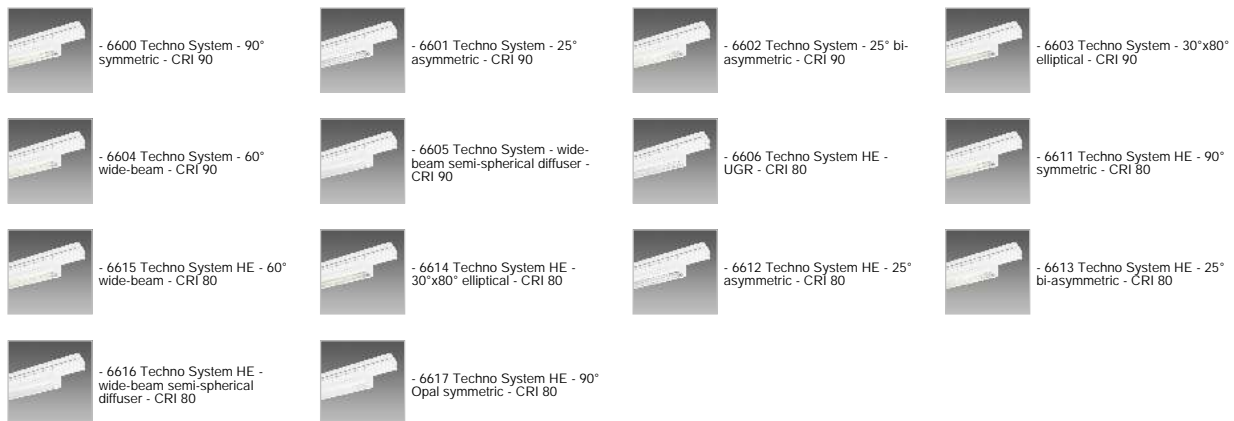
Download

DXF 2D
- chanEL.dxf
Montaggi
- 6001-6002-6003 mount
examples.pdf



Code	Gear	Kg	WTot	Colour
132970-00	S	3,30	0 W	WHITE
132971-00	S	3,48	0 W	WHITE
132972-00	S	3,50	0 W	WHITE
132975-00	S	4,50	0 W	WHITE
132976-00	S	5,25	0 W	WHITE
132977-00	S	4,85	0 W	WHITE

Prodotti



The reported luminous flux is the flux emitted by the light source with a tolerance of ± 10% compared to the indicated value. The W tot column indicates the total wattage absorbed by the system without exceeding 10% of the indicated