

### 6002 power track – non-continuous row

Frame structure for the creation of continuous row of Techno System fixtures or in combination with other products (see table). Simple and quick mounting as a ceiling or a suspension fixture thanks to the wide range of accessories. The track is designed to house 5-pole or 7-pole terminal block (the latter to be used for the EMERGENCY and DIMMable DALI versions) or 11-pole block with rapid connectors.

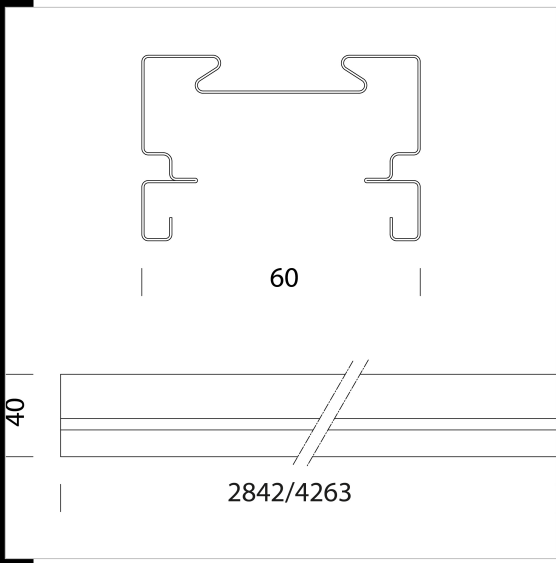
Track housing: painted rolled steel with rounded edges for hand safety and galvanized steel previously stove-enamelled with a UV-stabilised, anti-yellowing white polyester resin applied after phosphate treatment; supplied with cable 1,5 mm<sup>2</sup>.

Produced according to applicable EN60598-1 CEI 34-21 standards, degree of protection according to EN 60529 standards.

The power track 6002 is designed to be used with a lower number of connectors (1 or 2) for applications where continuous row mounting is not required. It will ensure aesthetic uniformity (due to the absence of unused connectors) and increase savings.

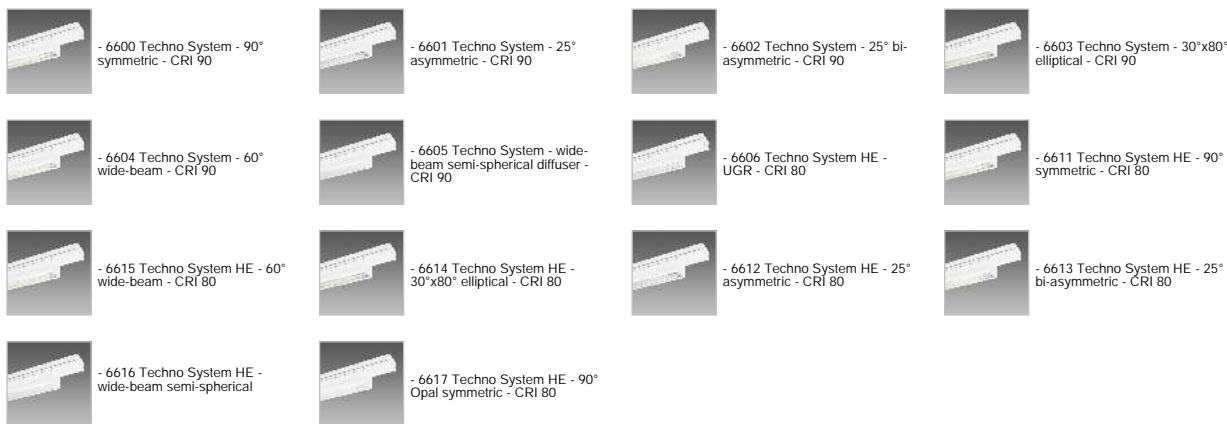
Designed to allow the quick non-continuous row mounting of luminaires of the Techno System series.

13296046000200 - 1 connector (left) 13296100002265 - 1 connector (left)  
 13296100002266 - 1 connector (left) 13296046002265 - 1 connector (right)  
 13296100002021 - 1 connector (right) 13296100002267 - 1 connector (right)  
 13296546000199 - 2 connectors (right + left) 13296600002022 - 2 connectors (right + left)  
 13296600002025 - 2 connectors (right + left)  
 13296546002265 - 1 connector (central) 13296600002023 - 1 connector (central)  
 13296600002268 - 1 connector (central)



Code	Gear	Kg	WTot	Colour
132960-46000200	S	3,25	0 W	WHITE
132961-00002265	S	3,25	0 W	WHITE
132961-00002266	S	3,25	0 W	WHITE
132960-46002265	S	3,25	0 W	WHITE
132961-00002021	S	3,25	0 W	WHITE
132961-00002267	S	3,25	0 W	WHITE
132965-46000199	S	4,70	0 W	WHITE
132966-00002022	S	4,70	0 W	WHITE
132966-00002025	S	4,70	0 W	WHITE
132965-46002265	S	4,70	0 W	WHITE
132966-00002023	S	4,70	0 W	WHITE
132966-00002268	S	4,70	0 W	WHITE

#### Prodotti



The reported luminous flux is the flux emitted by the light source with a tolerance of ± 10% compared to the indicated value. The W tot column indicates the total wattage absorbed by the system without exceeding 10% of the indicated