

6001 power track – continuous row

Frame structure for the creation of continuous row of Techno System fixtures or in combination with other products (see table). Simple and quick mounting as a ceiling or a suspension fixture thanks to the wide range of accessories. The track is designed to house 5-pole or 7-pole terminal block (the latter to be used for the EMergency and DIMMable DALI versions) or 11-pole block with rapid connectors.

Track housing: painted rolled steel with rounded edges for hand safety and galvanized steel previously stove-enamelled with a UV-stabilised, anti-yellowing white polyester resin applied after phosphate treatment; supplied with cable 1,5 mm².

Produced according to applicable EN60598-1 CEI 34-21 standards, degree of protection according to EN 60529 standards.

The power track 6001 is available in two standard lengths, 2842 mm and 4263 m. These lengths correspond exactly to the length of 2 or 3 linear luminaires, so basically the track is made to be used with 2 or 3 connectors depending on the length chosen.

Designed to allow the quick continuous row mounting of luminaires of the Techno System series.

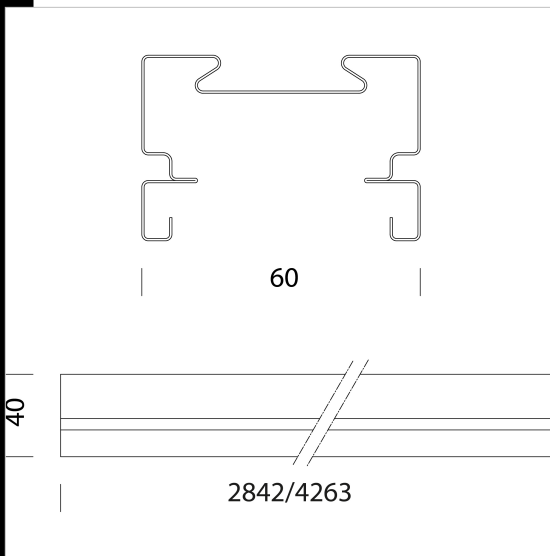
- 132960-00 - 5 poles - 2842mm
- 132961-00 - 7 poles - 2842mm
- 13296146011138 - 11 poles - 2842mm
- 132965-00 - 5 poles - 4263mm
- 132966-00 - 7 poles - 4263mm
- 13296600010923 - 11 poles - 4263mm

Download

DXF 2D
- chanEL.dxf

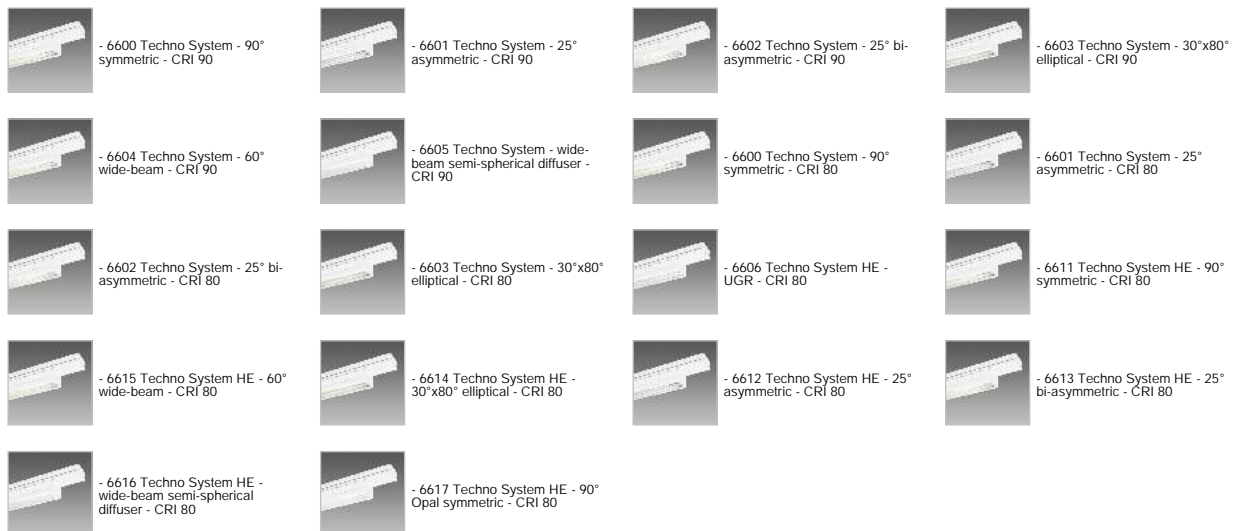
Montaggi
- 6001-6002-6003 mount
examples.pdf

BIM
- 6001 powered track - 20200623.rar



Code	Gear	Kg	WTot	Colour
132960-00	S	3.50	0 W	WHITE
132961-00	S	3.48	0 W	WHITE
132965-00	S	4.85	0 W	WHITE
132966-00	S	5.05	0 W	WHITE
132961-46011138	S	3.50	0 W	WHITE
132966-00010923	S	4.80	0 W	WHITE

Products



The reported luminous flux is the flux emitted by the light source with a tolerance of ± 10% compared to the indicated value. The W tot column indicates the total wattage absorbed by the system without exceeding 10% of the indicated