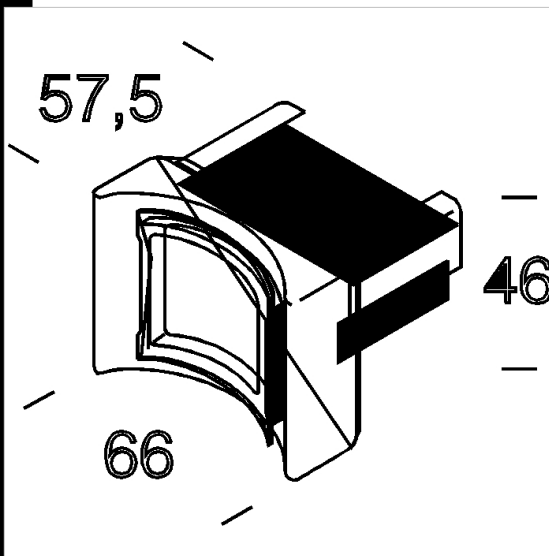


6019 round joint end cap

In die-cast aluminium.  
To be coupled with acc. 6018.

Download

DXF 2D  
- d6019.dxf



| Code      | Kg   | WTot | Colour |
|-----------|------|------|--------|
| 132926-00 | 0,42 | 0 W  | WHITE  |

Prodotti



- 6000 Rapid System - power

The reported luminous flux is the flux emitted by the light source with a tolerance of  $\pm 10\%$  compared to the indicated value. The W tot column indicates the total wattage absorbed by the system without exceeding 10% of the indicated