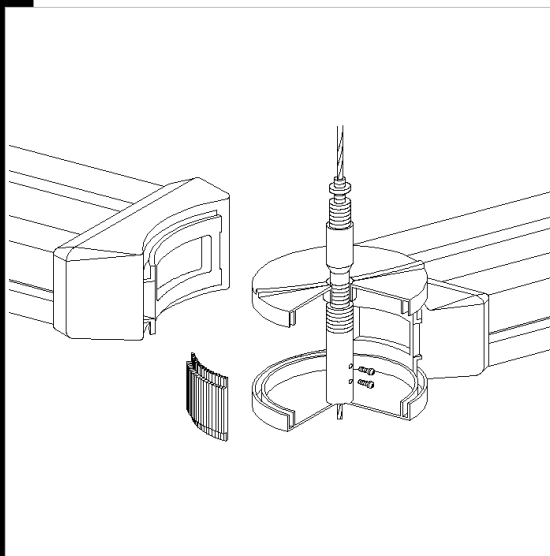


### 6018 round joint

Can be used for suspension, by rod or cord, joint and rotation (90° to 270°) between modules. Threaded for Ø 13 rod or acc. 6510. To be coupled with acc. 6019.



Code	Kg	WTot	Colour
132925-00	0,46	0 W	WHITE

#### Prodotti



- 6402 Rapid system - 1-lamp

#### Download

DXF 2D  
- 6018n.dxf

The reported luminous flux is the flux emitted by the light source with a tolerance of  $\pm 10\%$  compared to the indicated value. The W tot column indicates the total wattage absorbed by the system without exceeding 10% of the indicated