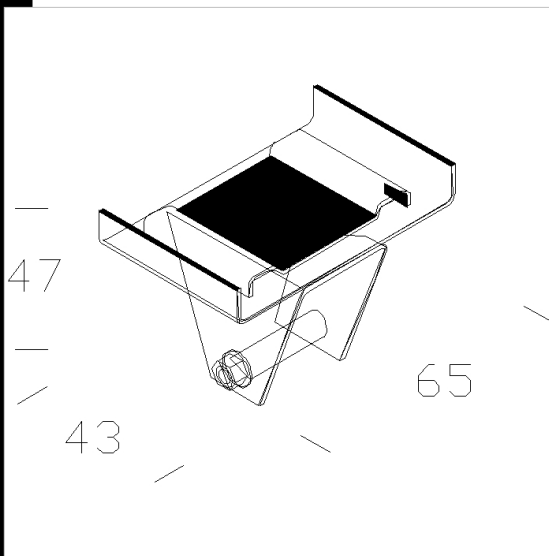


6037 suspension hook

In zinc-plated steel. For installation of Argon, Ghost, Lucente, Photon, Quark, Quasar Industrial Luminaires on track 6000. Max load: 20 kg.

Download

DXF 2D
- d6037.dxf



Code	Kg	WTot	Colour
132922-00	0,12	0 W	GALVANIZED

Prodotti



- 1217 Photon - narrow beam



- 1216 Photon - wide beam



- 6000 Rapid System - power



- 1218 Photon - narrow beam



- 1215 Photon - wide beam



- 1171 Argon - with diffuser



- 1170 Argon - with glass



- 1116 Quark - wide beam



- 1117 Quark - narrow beam



- 6502 Rapid system - 2-lamps version LED



- 6402 Rapid system - 1-lamp version LED



- 1115 Quark - wide beam

The reported luminous flux is the flux emitted by the light source with a tolerance of $\pm 10\%$ compared to the indicated value. The W tot column indicates the total wattage absorbed by the system without exceeding 10% of the indicated