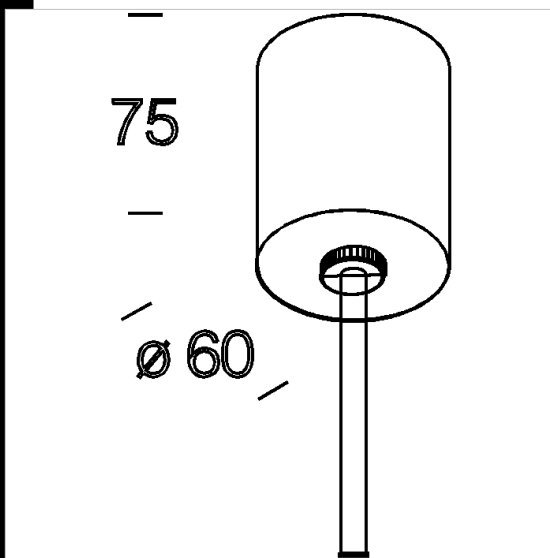


6090 ceiling rose

In black thermoplastic material, supplied with accessories. Also for suspension of alignment box acc. 6080. To be used with acc. 6095.



Code	Kg	WTot	Colour
132918-00	0,13	0 W	BLACK

Prodotti



- 6000 Rapid System - power

Download
DXF 2D
- d6090.dxf

The reported luminous flux is the flux emitted by the light source with a tolerance of $\pm 10\%$ compared to the indicated value. The W tot column indicates the total wattage absorbed by the system without exceeding 10% of the indicated