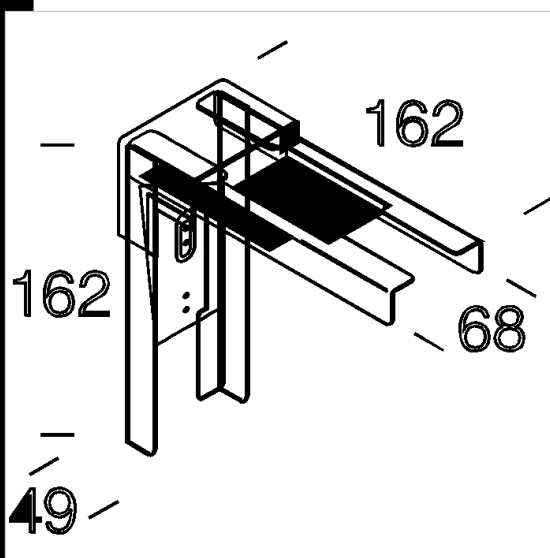
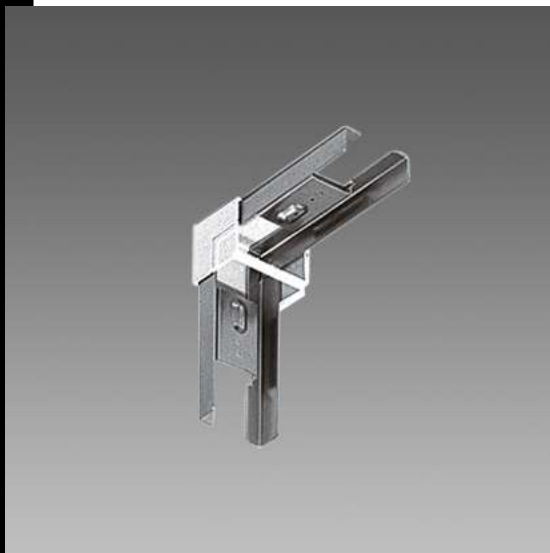


6070 drop-counterdrop

Zinc plated steel joint with white thermoplastic material cover. To change the installation level of track. To be used in combination with acc. 6621.

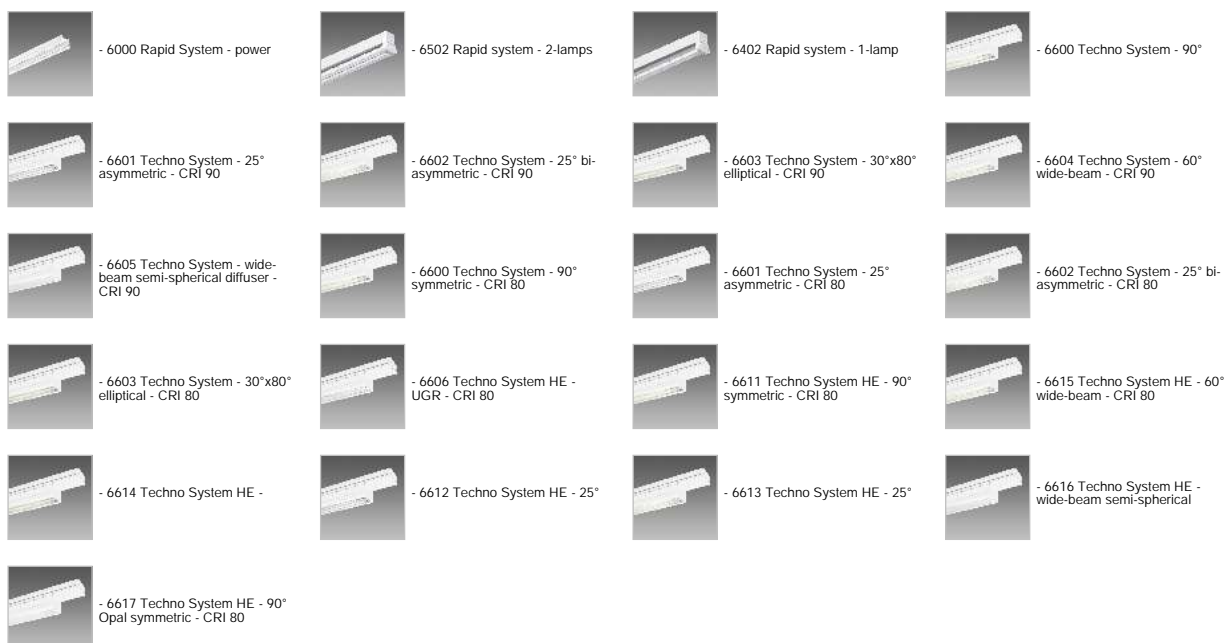
Download

DXF 2D  
- d6070.dxf



Code	Kg	WTot	Colour
132914-00	0,32	0 W	WHITE

Prodotti



The reported luminous flux is the flux emitted by the light source with a tolerance of  $\pm 10\%$  compared to the indicated value. The W tot column indicates the total wattage absorbed by the system without exceeding 10% of the indicated