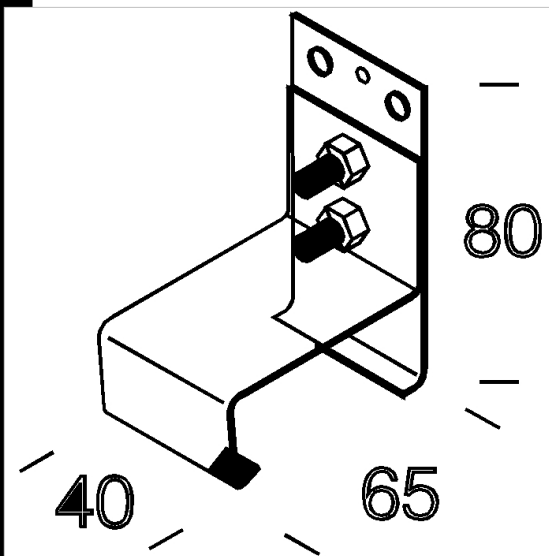
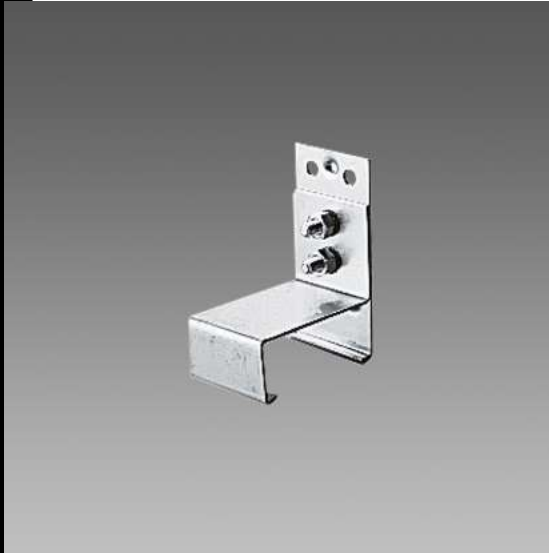


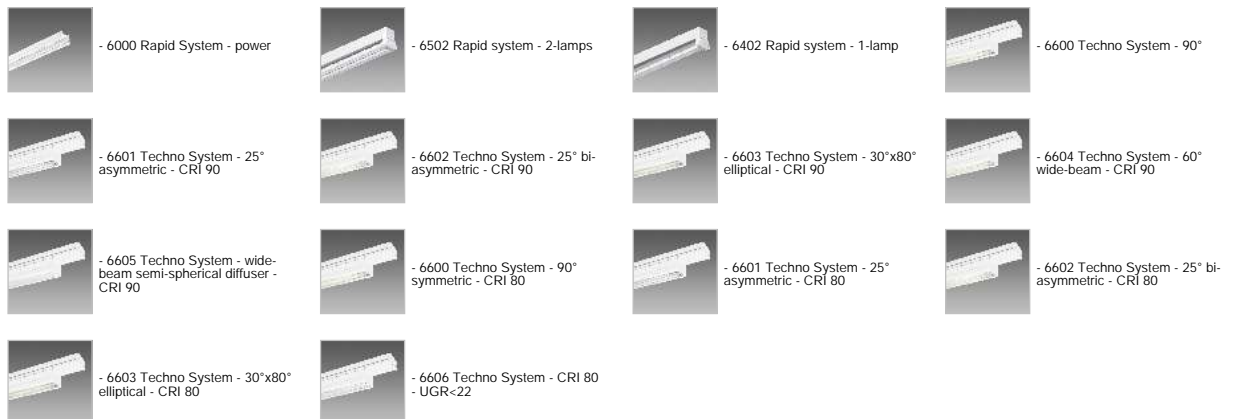
6050 wall mount

Zinc-plated steel bracket. For wall mounting of track. 2 per pack.



Code	Kg	WTot	Colour
132910-00	0.12	0 W	ZINCATO

Products



Download
DXF 2D
- d6050.dxf

The reported luminous flux is the flux emitted by the light source with a tolerance of $\pm 10\%$ compared to the indicated value. The W tot column indicates the total wattage absorbed by the system without exceeding 10% of the indicated