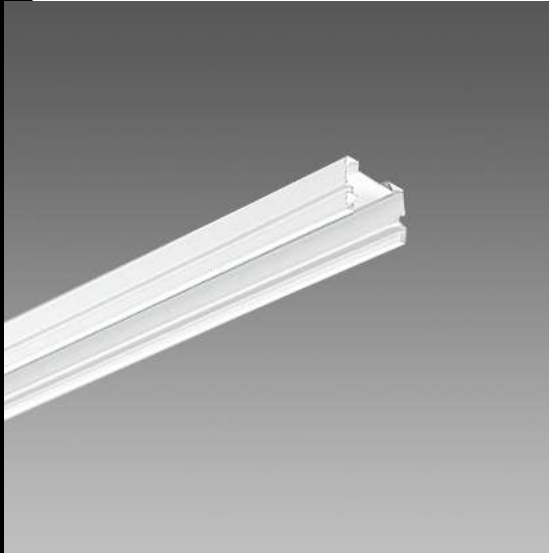


6000 Rapid System - power system for commercial track



Trunking: In rolled hot-dip galvanized steel, with rounded edges to protect hands.

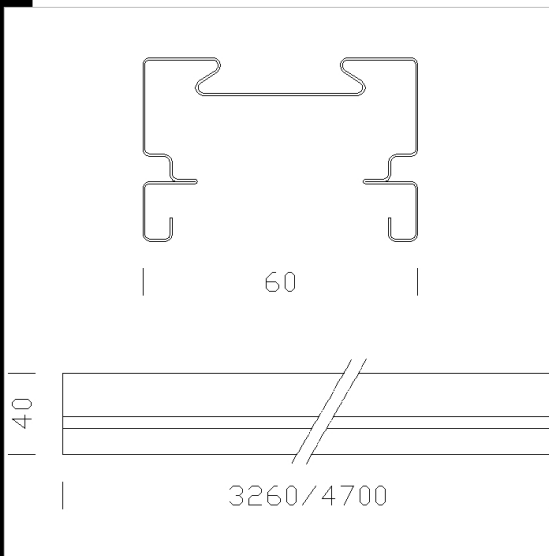
Painting: Steel stove pre-enamelling with polyester resin, white, UV-stabilized, anti-yellowing, upon phosphate treatment.

Accessories: In steel with thermoplastic cover, for rotation, junction, suspension or fastening of all Disano fixtures.

Regulations: Produced according to applicable standards, IP40IK08 degree of protection according to EN 60529 standards, and can be installed on normally inflammable surfaces.

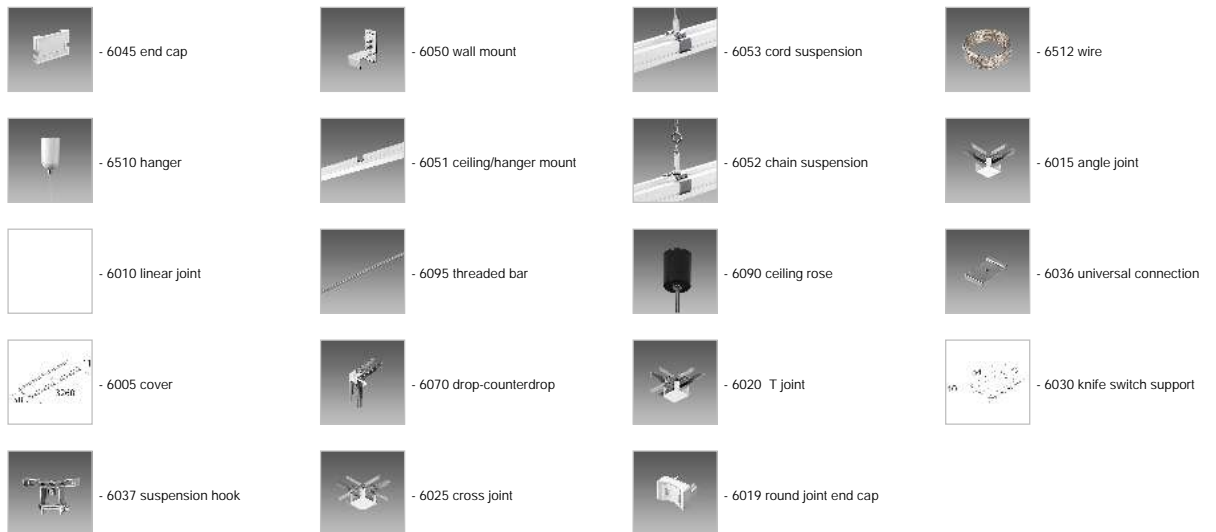
Provision for quick mounting of Rapid System fixtures and for power system track

The track can be installed using the ceiling socket or the hanger for suspension with cable or chain.



| Code      | Gear  | Kg   | WTot | Colour |
|-----------|-------|------|------|--------|
| 132923-00 | CNR-L | 3,50 | 0 W  | WHITE  |
| 132900-00 | S     | 3,00 | 0 W  | WHITE  |

Accessori



Download

DXF 2D  
- d6000.dxf

Montaggi

- elettrificazione.dwg  
- montaccaneletr.dxf  
- elettr.pdf  
- 6000.dxf

The reported luminous flux is the flux emitted by the light source with a tolerance of  $\pm 10\%$  compared to the indicated value. The W tot column indicates the total wattage absorbed by the system without exceeding 10% of the indicated