

6101 Canale Elesystem: 5 leads

Track housing: Galvanised and painted rolled steel with rounded edges for hand safety.
Coating: Galvanised steel previously stove-enamelled with a UV-stabilised, anti-yellowing white polyester resin.

Track accessories: In steel sheathed in thermoplastic, they serve to join, suspend and fix Disano Elesystem series fixtures..

Regulations: Manufactured in compliance with EN60598 - CEI 34 - 21 standards. The level of protection complies with the EN60529 standard.

THE ELESYSTEM TRACK

The new track is designed for use both as a traditional powered track and for integration into an intelligent lighting system control system. The powered track is supplied with a wide range of accessories to ensure the greatest possible flexibility.

The track contains two shaped profiles made in insulating PVC each containing copper leads, totalling 5, each dimensioned up to 16A and able power the phases, neutral, ground and leads "E1" and "E2" to power fixtures during emergencies, leads "+" e "-" to control dimmable fixtures or systems during emergencies plus a lead for special applications.

IDEAL IN ALL AREAS AND FOR ALL INSTALLATIONS

Its simple modular design is suited to creating the ideal lighting system for any area: shopping centres, warehouses, factories.

for correct lighting, the fixtures may be installed on the track or subsequently moved in a simple and rapid manner.

Electric gear

Electric gear is provided for both T5 and T8 fluorescent lamps designed for versions with a traditional, electronic, emergency and dimmable ballasts..

EMERGENCY

Leads E1 and E2 make it possible to power fixtures in emergencies separating the load from the batteries from the normal power supply as required by the CEI UNI 60598-2-22 standard.

Installation system

Both ceiling fixtures and spotlights can be rapidly installed on the powered track using a quarter-turn cam system. The track may be suspended or fixed onto the ceiling by means of special sprung anchor systems making installation both rapid and safe.

INSTALLING LOUVRES

Shiny aluminium louvre, to be used only in combination with acc. 6316. Attached by means of safety springs to permit rapid installation and easy maintenance.

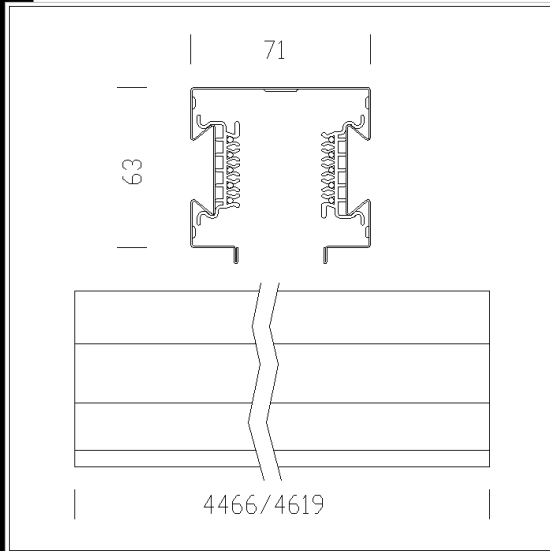
FOSNOVA SPOTS (Vision) MAY BE INSTALLED

The powered track can be used for both ceiling fixtures and spotlights. It takes just one simple and rapid gesture to fit each fixture in the ELESYSTEM series to the main track..

The option of a double track makes it possible to install telephone, intranet and service lines. The system is designed to operate at a voltage of 230-240V and a frequency of 50-60Hz. The ELESYSTEM IP40 protection permits installation in problem areas too..

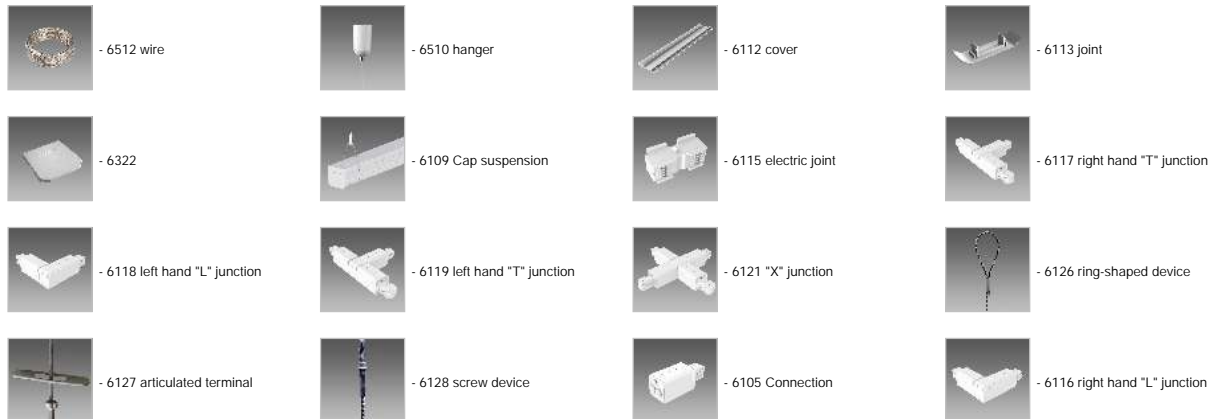
INTEGRATION

Integration of the ELESYSTEM track with DUEMMEGI system acquisition and control devices permits you to extend the control system to large areas without having to lay auxiliary lines, thus effectively transforming a traditional lighting system into an integrated management, control and monitoring.. This means that you can create simple systems in which the lighting fixtures are controlled from any point, you add fixtures, and control the system by modem-PC, with graphic pages on TOUCH SCREEN interfaces.



Code	Gear	Kg	WTot	Colour
132835-00	S	9.90	0 W	WHITE

Accessories



The reported luminous flux is the flux emitted by the light source with a tolerance of $\pm 10\%$ compared to the indicated value. The W tot column indicates the total wattage absorbed by the system without exceeding 10% of the indicated