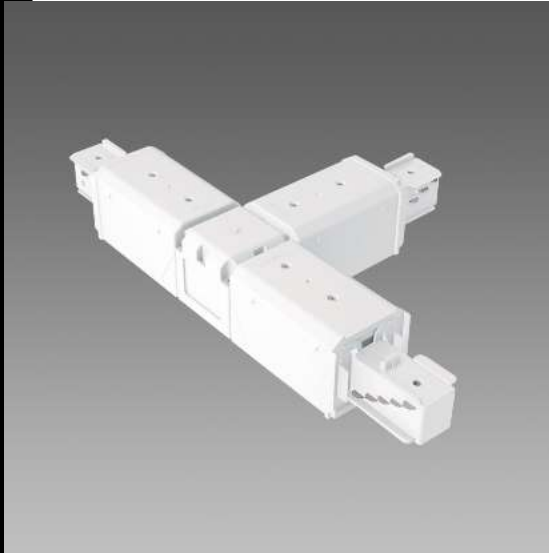




3° IP
IK

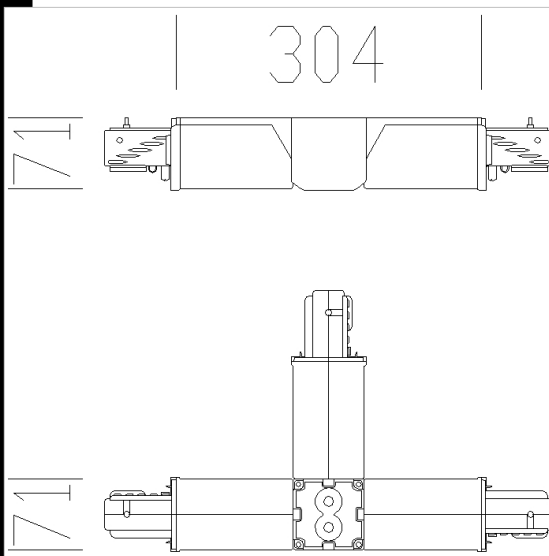
Download

DXF 2D
- 6117_19.dxf



6117 right hand "T" junction

In nylon with phosphorous bronze contacts. For angle and electrical connections. Cables may enter directly at junction cubes through rubber grommets



| Code | Kg | WTot | Colour |
|-----------|------|------|--------|
| 132823-00 | 0.84 | 0 W | WHITE |

Products



- 6101 Canale Elesystem: 5



- 6102 Canale Elesystem: 7



- 6100 Canale Elesystem: 10

The reported luminous flux is the flux emitted by the light source with a tolerance of $\pm 10\%$ compared to the indicated value. The W tot column indicates the total wattage absorbed by the system without exceeding 10% of the indicated