



3° IP
IK

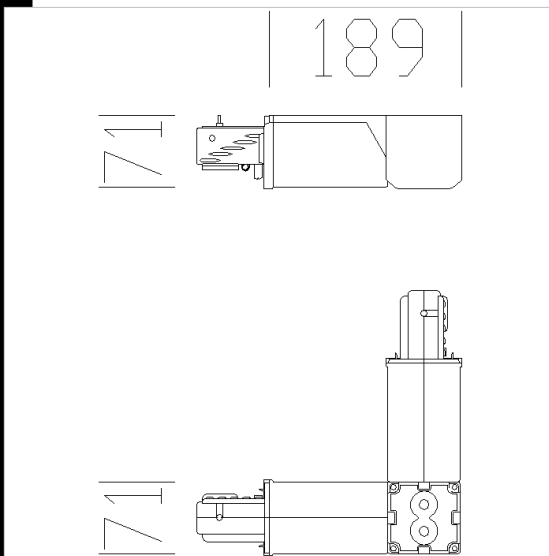
Download

DXF 2D
- 6116_18.dxf



6116 right hand "L" junction

In nylon with phosphorous bronze contacts. For angle and electrical connections. Cables may enter directly at junction cubes through rubber grommets



Code	Kg	WTot	Colour
132821-00	0.84	0 W	WHITE

Products



- 6101 Canale Elesystem: 5



- 6102 Canale Elesystem: 7



- 6100 Canale Elesystem: 10

The reported luminous flux is the flux emitted by the light source with a tolerance of $\pm 10\%$ compared to the indicated value. The W tot column indicates the total wattage absorbed by the system without exceeding 10% of the indicated