



3° IP
IK

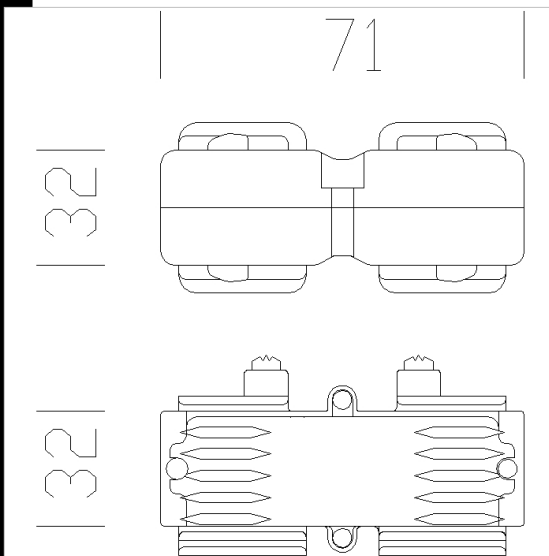
Download

DXF 2D
- 6115.dxf



6115 electric joint

In nylon with phosphorous bronze contacts. Complete with straight mechanical junction which guarantees sturdiness and IP40 rating



Code	Kg	WTot	Colour
132820-00	0.52	0 W	WHITE

Products



- 6101 Canale Elesystem: 5



- 6102 Canale Elesystem: 7



- 6100 Canale Elesystem: 10

The reported luminous flux is the flux emitted by the light source with a tolerance of $\pm 10\%$ compared to the indicated value. The W tot column indicates the total wattage absorbed by the system without exceeding 10% of the indicated