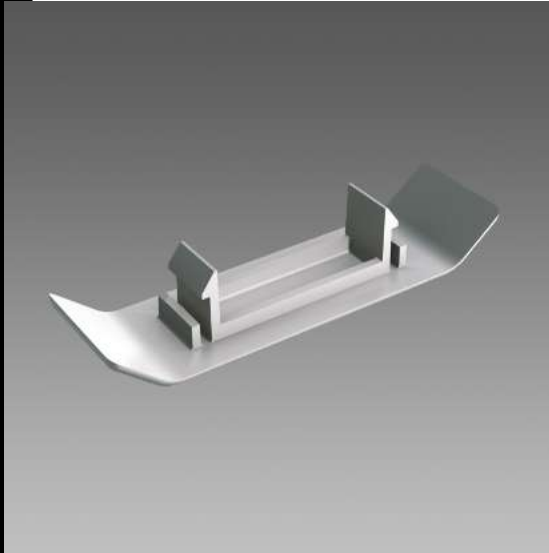




3° IP
IK

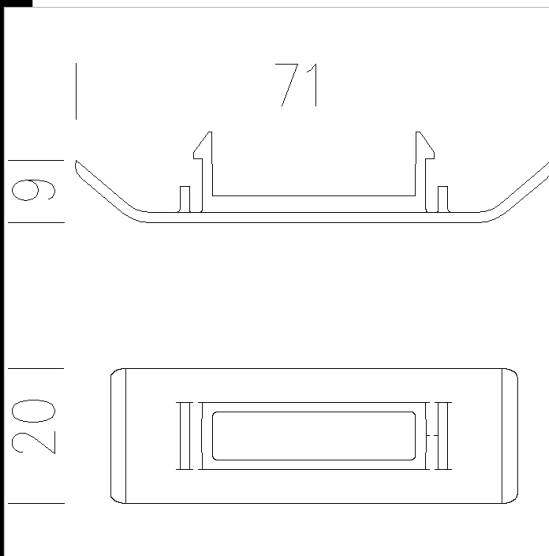
Download

DXF 2D
- 6113.dxf



6113 joint

In thermoplastic material. To join the track cover and guarantee IP40 rating.



Code	Kg	WTot	Colour
132818-00	0.01	0 W	BIANCO

Products



- 6101 Canale Elesystem: 5



- 6102 Canale Elesystem: 7



- 6100 Canale Elesystem: 10

The reported luminous flux is the flux emitted by the light source with a tolerance of $\pm 10\%$ compared to the indicated value. The W tot column indicates the total wattage absorbed by the system without exceeding 10% of the indicated