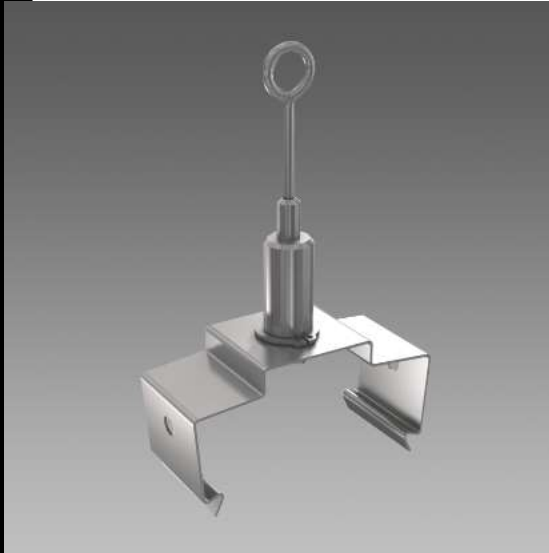




3° IP
IK

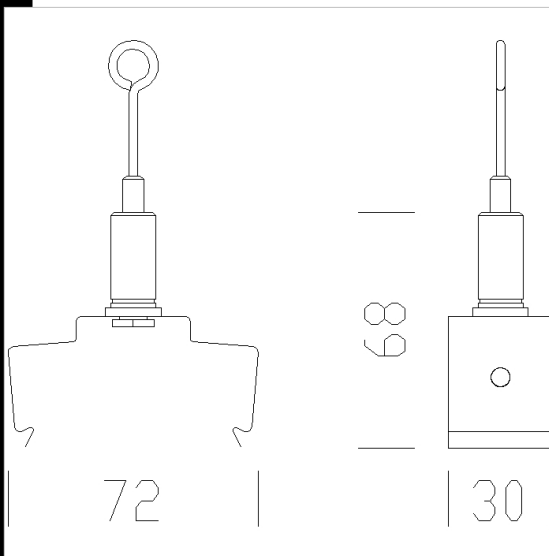
Download

DXF 2D
- 6107.dxf



6107 Suspension by chain

In stainless steel, for suspension with steel chain. Fitted with millimeter adjustment device and safety screws. Maximum load 30kg.



Code	Kg	WTot	Colour
132812-00	0.24	0 W	STAINLESS STEEL

Products



- 6100 Canale Elesystem: 10

The reported luminous flux is the flux emitted by the light source with a tolerance of $\pm 10\%$ compared to the indicated value. The W tot column indicates the total wattage absorbed by the system without exceeding 10% of the indicated