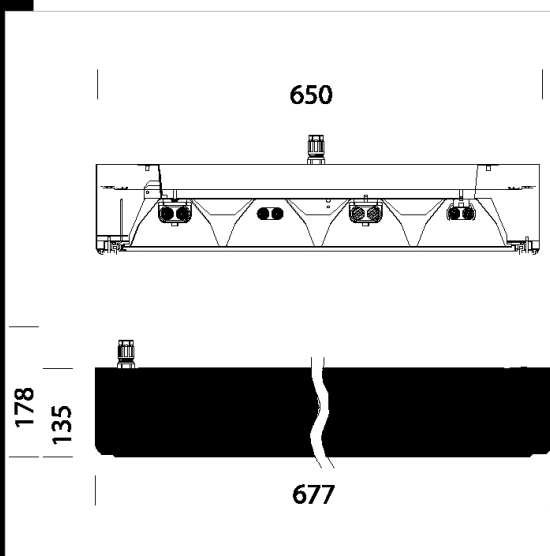


## 2658 Evoluzione IP65 - wide beam

Housing: In pressed sheet steel with electric gear positioned at the side.  
 Optics: parabolic louvers, plated aluminium, anti-dazzle and anti-iridescence.  
 Painting: Spray coated with a UV-stabilised acrylic water-based paint, resistant to humidity, UV-stabilized.  
 Lampholder: In polycarbonate, with contacts in phosphor bronze.  
 Electric gear: 230-240V/50Hz power supply. Hard wire, 0.50 sqmm cross section, and PVC-HT sheath, resistant up to 90°C, according to CEI 20-20 standards. 2P + T terminal block, facilitating creation of continuous lines, with maximum allowed lead cross section of 2.5 sqmm.  
 Regulations: Produced according to applicable EN60598-1 CEI 34 - 21 standards, v.l. IP65IK08 - v.a. IP50IK08 degree of protection according to EN 60529 standards. Moreover, they can be installed on normally inflammable surfaces.  
 The ideal ceiling system for installation at heights ranging between 4 and 8 m. In particular, for large commercial areas, and industrial and sport facilities.  
 Diffuser: in shatterproof and self-extinguishing V2 polycarbonate.



Code	Gear	Kg	Watt	Base	Lamps	Colour
125745-12	CELLF-D	9,30	FLC 4x55L	2G11	4800lm-4000K-Ra 1b	WHITE
125745-00	CELL-F	11,90	FLC 4x55L	2G11	4800lm-4000K-Ra 1b	WHITE
125745-07	CELLF-E	12,74	FLC 4x55L	2G11	4800lm-4000K-Ra 1b	WHITE

### Accessories



- 216 Ceiling mounting unit IP65

### Download

DXF 2D  
- 2658.dxf