

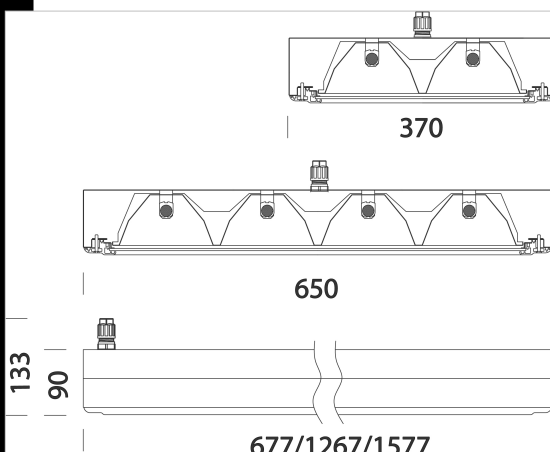
2657 Evoluzione IP65 - narrow beam

Housing: In pressed sheet steel with electric gear positioned at the side.
Optics: parabolic louvres, plated aluminium, anti-dazzle and anti-iridescence.
Painting: Spray coated with a UV-stabilised acrylic water-based paint, resistant to humidity, UV-stabilized.

Lampholder: In polycarbonate, with contacts in phosphor bronze.
Electric gear: 230-240V/50Hz power supply. Hard wire, 0.50 sqmm cross section, and PVC-HT sheath, resistant up to 90°C, according to CEI 20-20 standards. 2P + T terminal block, facilitating creation of continuous lines, with maximum allowed lead cross section of 2.5 sqmm.

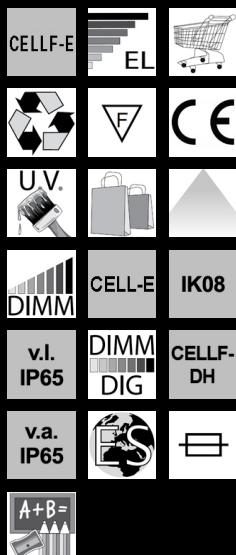
Regulations: Produced according to applicable EN60598-1 CEI 34 - 21 standards, v.l. IP65IK08 - v.a. IP50IK08 degree of protection according to EN 60529 standards. Moreover, they can be installed on normally inflammable surfaces.

The ideal ceiling system for installation at heights ranging between 4 and 8 m. In particular, for large commercial areas, and industrial and sport facilities.
Diffuser: in shatterproof and self-extinguishing V2 polycarbonate.



Code	Gear	Kg	Lumen-K-CRI	WTot	Base	Colour
125734-07	CELLF-E	10.42	FL 4x80-6550lm-4000k-Ra 1b	344 W	G5	WHITE
125739-00	CELL-F	17.10	FL 4x49-4350lm-4000K-Ra 1b	220 W	G5	WHITE
125735-00	CELL-F	14.31	FL 3x49-4350lm-4000K-Ra 1b	165 W	G5	WHITE
125737-00	CELL-F	6.99	FL 3x80-6550lm-4000k-Ra 1b	263 W	G5	WHITE
125734-00	CNR-F	17.44	FL 4x80-6550lm-4000k-Ra 1b	340 W	G5	WHITE
125740-00	CELL-F	6.55	FL 4x54-4450lm-4000K-Ra 1b	218 W	G5	WHITE
125731-07	CELLF-E	5.94	FL 2x49-4350lm-4000K-Ra 1b	115 W	G5	WHITE
125738-00	CELL-F	9.16	FL 4x24-1750lm-4000K-Ra 1b	106 W	G5	WHITE
125735-12	CELLF-D	9.00	FL 3x49-4350lm-4000K-Ra 1b	160 W	G5	WHITE
125732-12	CELLF-D	9.68	FL 2x54-4450lm-4000K-Ra 1b	115 W	G5	WHITE
125732-07	CELLF-E	10.75	FL 2x54-4450lm-4000K-Ra 1b	113 W	G5	WHITE
125738-12	CELLF-D	8.30	FL 4x24-1750lm-4000K-Ra 1b	106 W	G5	WHITE
125736-00	CELL-F	12.20	FL 3x54-4450lm-4000K-Ra 1b	168 W	G5	WHITE
125731-00	CELL-F	11.22	FL 2x49-4350lm-4000K-Ra 1b	111 W	G5	WHITE
125740-07	CELLF-E	7.75	FL 4x54-4450lm-4000K-Ra 1b	222 W	G5	WHITE
125737-07	CELLF-E	7.59	FL 3x80-6550lm-4000k-Ra 1b	267 W	G5	WHITE
125740-12	CELLF-D	8.80	FL 4x54-4450lm-4000K-Ra 1b	230 W	G5	WHITE
125739-12	CELLF-D	18.00	FL 4x49-4350lm-4000K-Ra 1b	210 W	G5	WHITE
125732-00	CELL-F	10.17	FL 2x54-4450lm-4000K-Ra 1b	109 W	G5	WHITE
125733-00	CELL-F	9.54	FL 2x80-6550lm-4000k-Ra 1b	156 W	G5	WHITE
125735-07	CELLF-E	7.59	FL 3x49-4350lm-4000K-Ra 1b	162 W	G5	WHITE
125736-12	CELLF-D	9.60	FL 3x54-4450lm-4000K-Ra 1b	173 W	G5	WHITE
125738-07	CELLF-E	5.08	FL 4x24-1750lm-4000K-Ra 1b	110 W	G5	WHITE
125731-12	CELLF-D	11.80	FL 2x49-4350lm-4000K-Ra 1b	97 W	G5	WHITE
125733-07	CELLF-E	11.54	FL 2x80-6550lm-4000k-Ra 1b	160 W	G5	WHITE
125736-07	CELLF-E	7.38	FL 3x54-4450lm-4000K-Ra 1b	172 W	G5	WHITE
125739-07	CELLF-E	10.42	FL 4x49-4350lm-4000K-Ra 1b	224 W	G5	WHITE

Accessories



Download

DXF 2D
- 2657.dxf
- 2656.dxf

Montaggi

- evoluzione_ip65.pdf
- evoluzione_ip65.pdf

The reported luminous flux is the flux emitted by the light source with a tolerance of ± 10% compared to the indicated value. The W tot column indicates the total wattage absorbed by the system without exceeding 10% of the indicated

Accessories



- 2292 connecting bracket



- 225 eyebolt



- 216 Ceiling mounting unit IP65
version

The reported luminous flux is the flux emitted by the light source with a tolerance of $\pm 10\%$ compared to the indicated value. The W tot column indicates the total wattage absorbed by the system without exceeding 10% of the indicated