

1937 Speed T8 - matt scored

Housing: galvanized steel stove pre-enamelling with white polyester resin, UV-stabilized, rounded edges for added protection.

Louvre: matt scored optic aluminium, with scored optics for better light distribution.

Lampholder: In polycarbonate, with contacts in phosphor bronze. Socket G13. Electric gear: 230V/50Hz power supply. Hard wire, 0.50 sqmm cross section, and PVC-HT sheath, resistant up to 90°C, according to CEI 20-20 standards. 2P+T terminal block, with maximum allowed lead cross section of 2.5 sqmm. each module comes with lamps in a continuous line 3 x 2.5 sq mm.

Equipment: Quick connectors for electrical line.

Standard supply: 3.5° protection fuse.

Emergency version: in maintained version. In the event of a "black out", one single lamp connected to the back-up circuit stays on. Run time 60 minutes. Sketch (see chapter). Versions with 3-hour battery life available upon request.

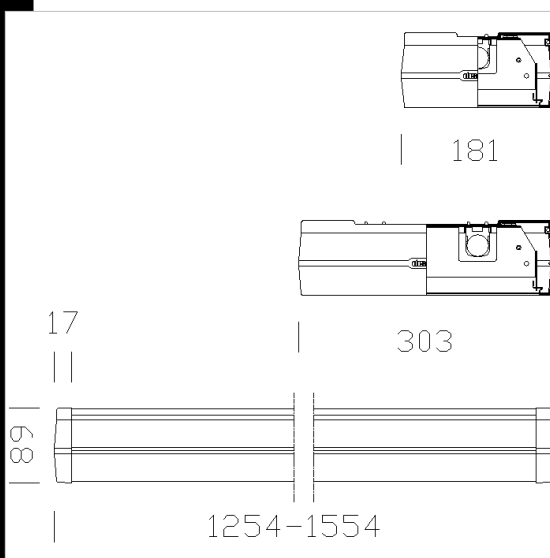
IP40 version: plate, acc. 481 is supplied separately

Regulations: Produced according to applicable EN60598-1CEI 34-21 standards, degree of protection according to EN 60529 standards.

Download

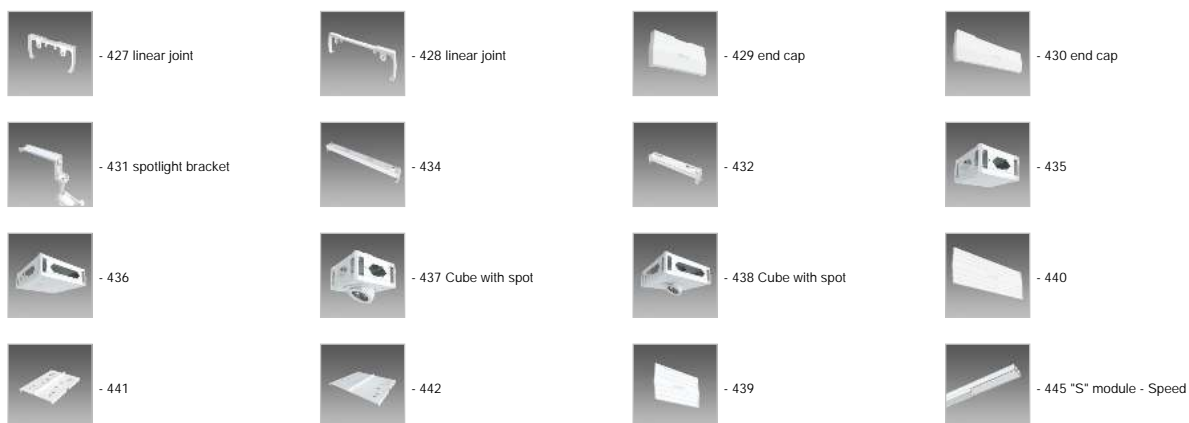
DXF 2D
- 1934.dxf

Montaggi
- 442 montato.dxf
- speed.pdf
- 441 montato.dxf



Code	Gear	Kg	Watt	Base	Lamps	Colour
124533-12	CELF-D	6,80	FL 2x58	G13	5200lm-4000K-Ra 1b	WHITE
124532-08	CEL-F	5,60	FL 2x36	G13	3350lm-4000K-Ra 1b	WHITE
124532-09	CELF-E	6,20	FL 2x36	G13	3350lm-4000K-Ra 1b	WHITE
124530-09	CELF-E	5,00	FL 1x36	G13	3350lm-4000K-Ra 1b	WHITE
124531-12	CELF-D	4,94	FL 1x58	G13	5200lm-4000K-Ra 1b	WHITE
124533-09	CELF-E	7,40	FL 2x58	G13	5200lm-4000K-Ra 1b	WHITE
124530-12	CELF-D	4,11	FL 1x36	G13	3350lm-4000K-Ra 1b	WHITE
124531-08	CEL-F	5,30	FL 1x58	G13	5200lm-4000K-Ra 1b	WHITE
124532-12	CELF-D	5,37	FL 2x36	G13	3350lm-4000K-Ra 1b	WHITE
124531-09	CELF-E	5,90	FL 1x58	G13	5200lm-4000K-Ra 1b	WHITE
124533-08	CEL-F	6,80	FL 2x58	G13	5200lm-4000K-Ra 1b	WHITE

Accessories



Accessories



- 481 IP40 Speed



- 446 "S" module - Speed