

1936 Speed T8 - matt louvre 99.99



Housing: galvanized steel stove pre-enamelling with white polyester resin, UV-stabilized, rounded edges for added protection.

Louvre: double parabolic louvres, in matt aluminium 99.99. Anti-dazzle and anti-iridescence, very low luminance. PVD treatment to increase light efficiency.

Lampholder: In polycarbonate, with contacts in phosphor bronze. Socket G13. Electric gear: 230V/50Hz power supply. Hard wire, 0.50 sqmm cross section, and PVC-HT sheath, resistant up to 90°C, according to CEI 20-20 standards. 2P+T terminal block, with maximum allowed lead cross section of 2.5 sqmm. Each module comes with lamps in a continuous line 3 x 2.5 sq mm.

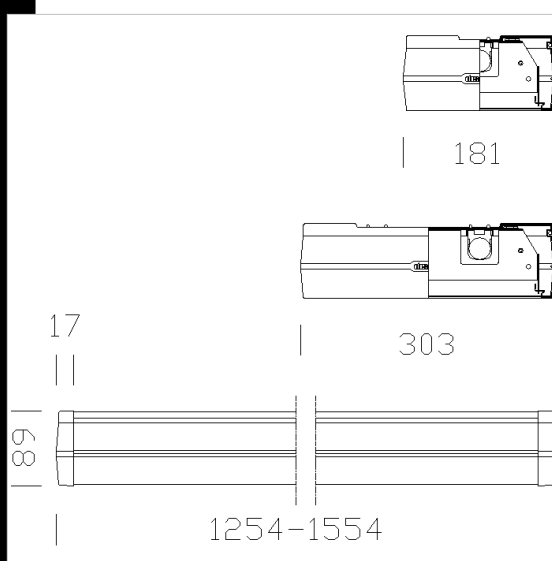
Equipment: Quick connectors for electrical line.

Standard supply: 3.5° protection fuse.

Emergency version: in maintained version. In the event of a "black out", one single lamp connected to the back-up circuit stays on. Run time 60 minutes. Sketch (see chapter). Versions with 3-hour battery life available upon request.

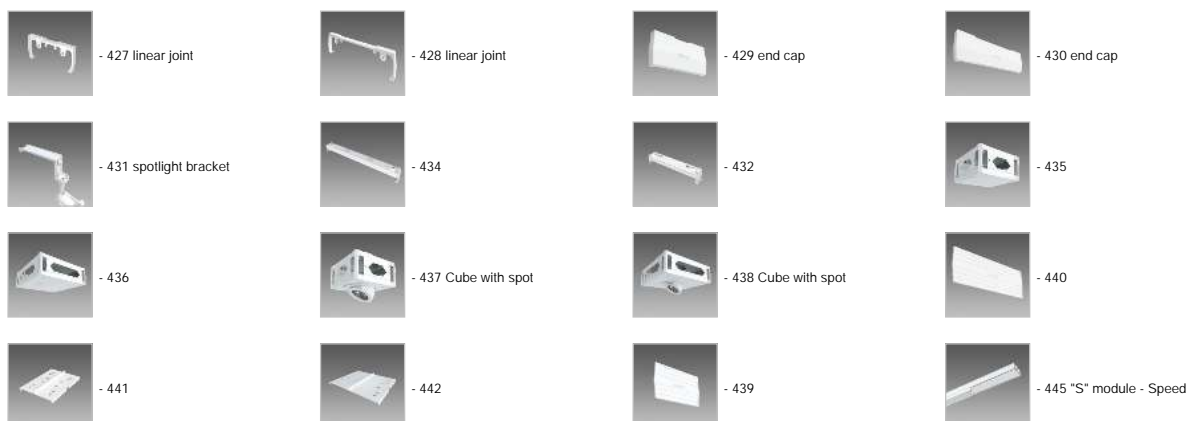
IP40 version: plate, acc. 481 is supplied separately

Regulations: Produced according to applicable EN60598-1CEI 34-21 standards, degree of protection according to EN 60529 standards.



| Code | Gear | Kg | Watt | Base | Lamps | Colour |
|-----------|--------|------|---------|------|--------------------|--------|
| 124523-09 | CELF-E | 7,20 | FL 2x58 | G13 | 5200lm-4000K-Ra 1b | WHITE |
| 124520-09 | CELF-E | 5,00 | FL 1x36 | G13 | 3350lm-4000K-Ra 1b | WHITE |
| 124520-12 | CELF-D | 4,40 | FL 1x36 | G13 | 3350lm-4000K-Ra 1b | WHITE |
| 124521-12 | CELF-D | 5,30 | FL 1x58 | G13 | 5200lm-4000K-Ra 1b | WHITE |
| 124522-12 | CELF-D | 5,50 | FL 2x36 | G13 | 3350lm-4000K-Ra 1b | WHITE |
| 124523-12 | CELF-D | 6,60 | FL 2x58 | G13 | 5200lm-4000K-Ra 1b | WHITE |
| 124521-09 | CELF-E | 5,90 | FL 1x58 | G13 | 5200lm-4000K-Ra 1b | WHITE |
| 124520-08 | CEL-F | 4,40 | FL 1x36 | G13 | 3350lm-4000K-Ra 1b | WHITE |
| 124521-08 | CEL-F | 5,30 | FL 1x58 | G13 | 5200lm-4000K-Ra 1b | WHITE |
| 124522-08 | CEL-F | 5,50 | FL 2x36 | G13 | 3350lm-4000K-Ra 1b | WHITE |
| 124523-08 | CEL-F | 6,60 | FL 2x58 | G13 | 5200lm-4000K-Ra 1b | WHITE |
| 124522-09 | CELF-E | 6,10 | FL 2x36 | G13 | 3350lm-4000K-Ra 1b | WHITE |

Accessori



Download

DXF 2D
- 1934.dxf

Montaggi
- 442 montato.dxf
- speed.pdf
- 441 montato.dxf

Accessori



- 481 IP40 Speed



- 446 "S" module - Speed



- 433 Spotlight bracket