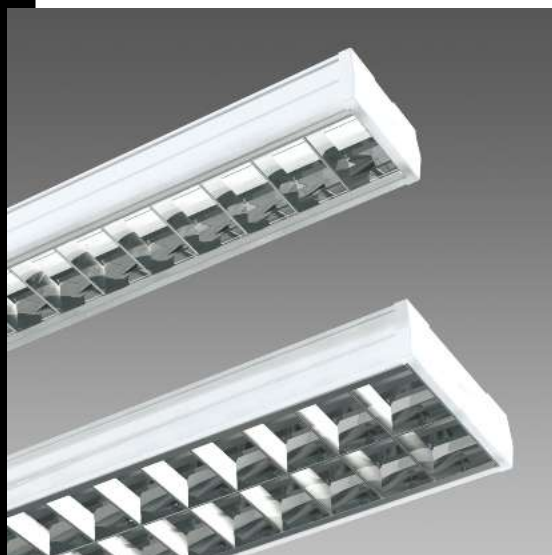


1935 Speed T8 - high gloss louvre 99.99



Housing: galvanized steel stove pre-enamelling with white polyester resin, UV-stabilized, rounded edges for added protection.

Louvre: Dark light double parabolic louvres, lengthwise and crosswise in high-gloss, plated aluminium, anti-glare and anti-iridescence, very low luminance 99.99.

Lampholder: In polycarbonate, with contacts in phosphor bronze. Socket G13
Electric gear: 230V/50Hz power supply. Hard wire, 0.50 sqmm cross section, and PVC-HT sheath, resistant up to 90°C, according to CEI 20-20 standards. 2P+T terminal block, with maximum allowed lead cross section of 2.5 sqmm. each module comes with lamps in a continuous line 3 x 2.5 sq mm.

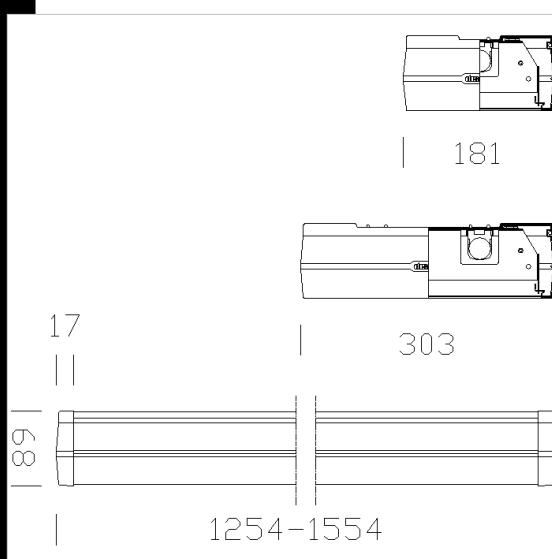
Equipment: Quick connectors for electrical line.

Standard supply: 3.5° protection fuse.

Emergency version: in maintained version. In the event of a "black out", one single lamp connected to the back-up circuit stays on. Run time 60 minutes. Sketch (see chapter). Versions with 3-hour battery life available upon request.

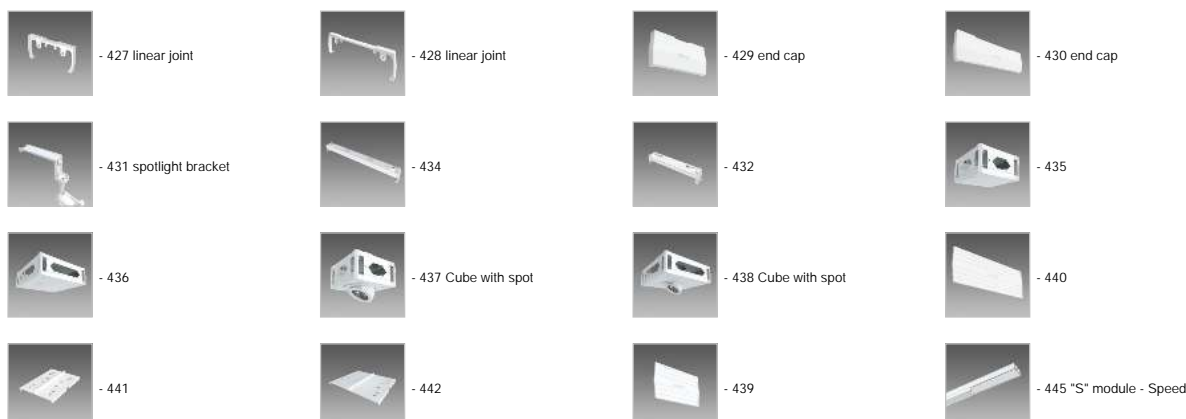
IP40 version: plate, acc. 481 is supplied separately

Regulations: Produced according to applicable EN60598-1CEI 34-21 standards, degree of protection according to EN 60529 standards.



Code	Gear	Kg	Watt	Base	Lamps	Colour
124510-12	CELF-D	4,13	FL 1x36	G13	3350lm-4000K-Ra 1b	WHITE
124511-12	CELF-D	5,08	FL 1x58	G13	5200lm-4000K-Ra 1b	WHITE
124512-12	CELF-D	5,49	FL 2x36	G13	3350lm-4000K-Ra 1b	WHITE
124513-12	CELF-D	6,39	FL 2x58	G13	5200lm-4000K-Ra 1b	WHITE
124510-09	CELF-E	4,90	FL 1x36	G13	3350lm-4000K-Ra 1b	WHITE
124511-09	CELF-E	5,60	FL 1x58	G13	5200lm-4000K-Ra 1b	WHITE
124512-09	CELF-E	6,10	FL 2x36	G13	3350lm-4000K-Ra 1b	WHITE
124510-08	CEL-F	4,40	FL 1x36	G13	3350lm-4000K-Ra 1b	WHITE
124512-08	CEL-F	5,50	FL 2x36	G13	3350lm-4000K-Ra 1b	WHITE
124511-08	CEL-F	5,04	FL 1x58	G13	5200lm-4000K-Ra 1b	WHITE
124513-09	CELF-E	7,20	FL 2x58	G13	5200lm-4000K-Ra 1b	WHITE
124513-08	CEL-F	6,39	FL 2x58	G13	5200lm-4000K-Ra 1b	WHITE

Accessories



Download

DXF 2D
- 1934.dxf

Montaggi
- 442 montato.dxf
- speed.pdf
- 441 montato.dxf

Accessories



- 481 IP40 Speed



- 446 "S" module - Speed



- 433 Spotlight bracket