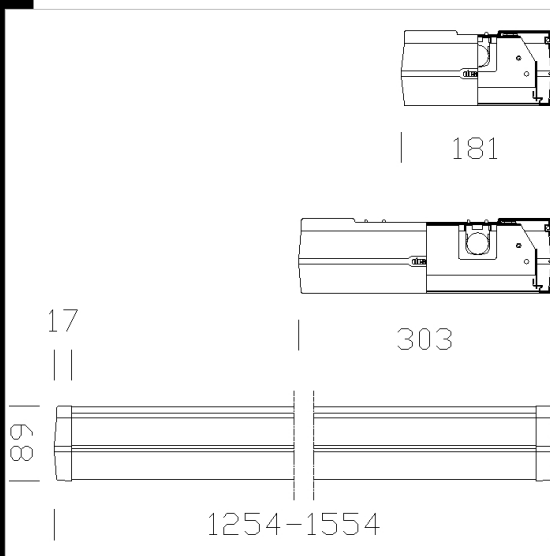


1934 Speed T8 - without diffuser

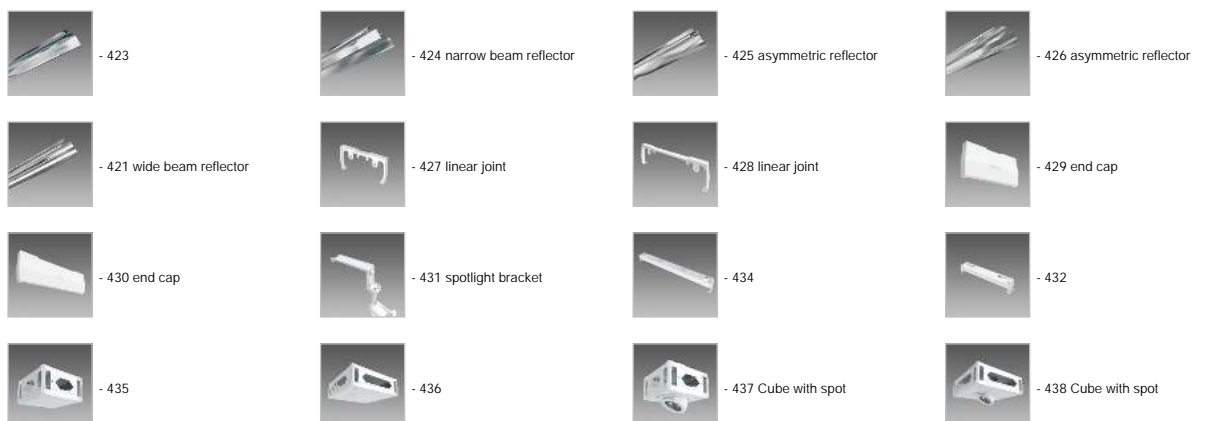


Housing: galvanized steel stove pre-enamelling with white polyester resin, UV-stabilized, rounded edges for added protection.
 Lampholder: In polycarbonate, with contacts in phosphor bronze. Socket G13
 Electric gear: 230V/50Hz power supply. Hard wire, 0.50 sqmm cross section, and PVC-HT sheath, resistant up to 90°C, according to CEI 20-20 standards. 2P+T terminal block, with maximum allowed lead cross section of 2.5 sqmm. each module comes with lamps in a continuous line 3 x 2.5 sq mm.
 Equipment: Quick connectors for electrical line.
 Standard supply: 3.5° protection fuse.
 Emergency version: in maintained version. In the event of a "black out", one single lamp connected to the back-up circuit stays on. Run time 60 minutes. Sketch (see chapter). Versions with 3-hour battery life available upon request.
 Diffuser: the diffuser and all other symmetric or asymmetric, narrow beam or wide beam reflectors can be installed.
 Regulations: Produced according to applicable EN60598-1CEI 34-21 standards, degree of protection according to EN 60529 standards.



Code	Gear	Kg	Watt	Base	Lamps	Colour
124500-12	CELF-D	3,40	FL 1x36	G13	3350lm-4000K-Ra 1b	WHITE
124501-12	CELF-D	4,60	FL 1x58	G13	5200lm-4000K-Ra 1b	WHITE
124502-12	CELF-D	4,81	FL 2x36	G13	3350lm-4000K-Ra 1b	WHITE
124503-12	CELF-D	5,77	FL 2x58	G13	5200lm-4000K-Ra 1b	WHITE
124502-09	CELF-E	5,60	FL 2x36	G13	3350lm-4000K-Ra 1b	WHITE
124501-08	CEL-F	4,90	FL 1x58	G13	5200lm-4000K-Ra 1b	WHITE
124501-09	CELF-E	5,50	FL 1x58	G13	5200lm-4000K-Ra 1b	WHITE
124502-08	CEL-F	5,00	FL 2x36	G13	3350lm-4000K-Ra 1b	WHITE
124500-08	CEL-F	4,60	FL 1x36	G13	3350lm-4000K-Ra 1b	WHITE
124503-09	CELF-E	7,10	FL 2x58	G13	5200lm-4000K-Ra 1b	WHITE
124503-08	CEL-F	6,60	FL 2x58	G13	5200lm-4000K-Ra 1b	WHITE
124500-09	CELF-E	5,00	FL 1x36	G13	3350lm-4000K-Ra 1b	WHITE

Accessories



Download

DXF 2D
- 1934.dxf

Montaggi

- 442 montato.dxf
- speed.pdf
- 441 montato.dxf

1934 Speed T8 - without diffuser

Accessories



- 440



- 441



- 442



- 443



- 444



- 439



- 422 wide beam reflector



- 445 "S" module - Speed



- 481 IP40 Speed



- 446 "S" module - Speed



- 433 Spotlight bracket