

1933 Speed T5 - matt scored

Housing: galvanized steel stove pre-enamelling with white polyester resin, UV-stabilized, rounded edges for added protection.

Louvre: matt scored optic aluminium, with scored optics for better light distribution.

Lampholder: In polycarbonate, with contacts in phosphor bronze. Socket G5. Electric gear: 230V/50Hz power supply. Hard wire, 0.50 sqmm cross section, and PVC-HT sheath, resistant up to 90°C, according to CEI 20-20 standards. 2P+T terminal block, with maximum allowed lead cross section of 2.5 sqmm. each module comes with lamps in a continuous line 3 x 2.5 sq mm.

Equipment: Quick connectors for electrical line.

Standard supply: 3.5° protection fuse.

Emergency version: in maintained version. In the event of a "black out", one single lamp connected to the back-up circuit stays on. Run time 60 minutes. Sketch (see chapter). Versions with 3-hour battery life available upon request.

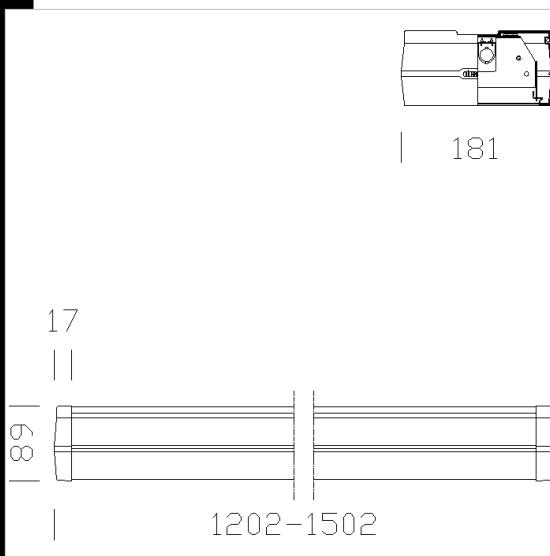
IP40 version: plate, acc. 481 is supplied separately

Regulations: Produced according to applicable EN60598-1CEI 34-21 standards, degree of protection according to EN 60529 standards.

Download

DXF 2D
- 1930.dxf

Montaggi
- speed.pdf
- 441 montato.dxf



Code	Gear	Kg	Lumen-K-CRI	WTot	Base	Colour
124432-00	CELL-F	4.50	FL 2x54-4460lm-4000K-Ra 1b	120 W	G5	WHITE
124433-00	CELL-F	5.50	FL 2x49-4350lm-4000K-Ra 1b	105 W	G5	WHITE
124430-07	CELLF-E	4.90	FL 1x54-4460lm-4000K-Ra 1b	62 W	G5	WHITE
124431-07	CELLF-E	6.00	FL 1x49-4350lm-4000K-Ra 1b	59 W	G5	WHITE
124432-07	CELLF-E	5.10	FL 2x54-4460lm-4000K-Ra 1b	124 W	G5	WHITE
124433-07	CELLF-E	5.96	FL 2x49-4350lm-4000K-Ra 1b	109 W	G5	WHITE
124431-00	CELL-F	4.96	FL 1x49-4350lm-4000K-Ra 1b	55 W	G5	WHITE
124430-12	CELLF-D	4.30	FL 1x54-4460lm-4000K-Ra 1b	61 W	G5	WHITE
124430-00	CELL-F	4.30	FL 1x54-4460lm-4000K-Ra 1b	58 W	G5	WHITE
124431-12	CELLF-D	5.30	FL 1x49-4350lm-4000K-Ra 1b	55 W	G5	WHITE
124433-12	CELLF-D	5.26	FL 2x49-4350lm-4000K-Ra 1b	106 W	G5	WHITE
124432-12	CELLF-D	4.29	FL 2x54-4460lm-4000K-Ra 1b	115 W	G5	WHITE

Accessories



- 427 linear joint



- 429 end cap



- 431 spotlight bracket



- 432



- 435



- 437 Cube with spot



- 441



- 439



- 445 "S" module - Speed



- 481 IP40 Speed

The reported luminous flux is the flux emitted by the light source with a tolerance of ± 10% compared to the indicated value. The W tot column indicates the total wattage absorbed by the system without exceeding 10% of the indicated