



### 1931 Speed T5 - high gloss 99.99

Housing: galvanized steel stove pre-enamelling with white polyester resin, UV-stabilized, rounded edges for added protection.

Louvre: Dark light double parabolic louvres, lengthwise and crosswise in high-gloss, plated aluminium, anti-glare and anti-iridescence, very low luminance 99.99.

Lampholder: In polycarbonate, with contacts in phosphor bronze. Socket G5.

Electric gear: 230V/50Hz power supply. Hard wire, 0.50 sqmm cross section, and PVC-HT sheath, resistant up to 90°C, according to CEI 20-20 standards. 2P+T terminal block, with maximum allowed lead cross section of 2.5 sqmm. each module comes with lamps in a continuous line 3 x 2.5 sq mm.

Equipment: Quick connectors for electrical line.

Standard supply: 3.5° protection fuse.

Emergency version: in maintained version. In the event of a "black out", one single lamp connected to the back-up circuit stays on. Run time 60 minutes. Sketch (see chapter). Versions with 3-hour battery life available upon request.

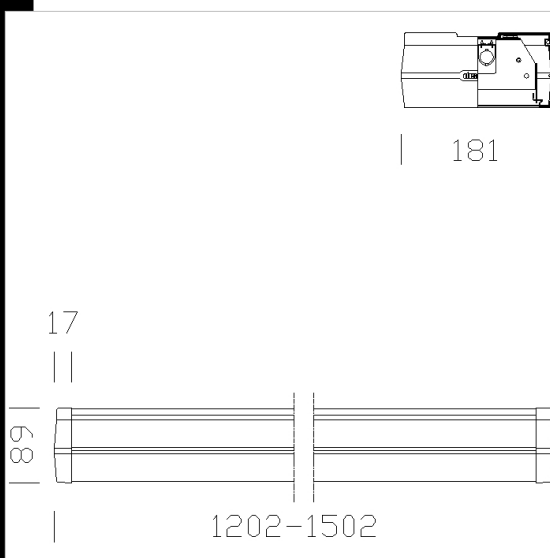
IP40 version: plate, acc. 481 is supplied separately

Regulations: Produced according to applicable EN60598-1CEI 34-21 standards, degree of protection according to EN 60529 standards.

#### Download

DXF 2D  
- 1930.dxf

Montaggi  
- speed.pdf  
- 441 montato.dxf



Code	Gear	Kg	Lumen-K-CRI	WTot	Base	Colour
124411-00	CELL-F	5.30	FL 1x49-4350lm-4000K-Ra 1b	55 W	G5	WHITE
124412-00	CELL-F	4.50	FL 2x54-4460lm-4000K-Ra 1b	120 W	G5	WHITE
124412-12	CELLF-D	4.33	FL 2x54-4460lm-4000K-Ra 1b	115 W	G5	WHITE
124413-12	CELLF-D	5.20	FL 2x49-4350lm-4000K-Ra 1b	106 W	G5	WHITE
124411-07	CELLF-E	6.10	FL 1x49-4350lm-4000K-Ra 1b	59 W	G5	WHITE
124413-00	CELL-F	5.50	FL 2x49-4350lm-4000K-Ra 1b	105 W	G5	WHITE
124413-07	CELLF-E	6.30	FL 2x49-4350lm-4000K-Ra 1b	109 W	G5	WHITE
124410-12	CELLF-D	4.15	FL 1x54-4460lm-4000K-Ra 1b	58 W	G5	WHITE
124410-00	CELL-F	4.40	FL 1x54-4460lm-4000K-Ra 1b	58 W	G5	WHITE
124410-07	CELLF-E	5.00	FL 1x54-4460lm-4000K-Ra 1b	62 W	G5	WHITE
124411-12	CELLF-D	4.55	FL 1x49-4350lm-4000K-Ra 1b	54 W	G5	WHITE
124412-07	CELLF-E	5.10	FL 2x54-4460lm-4000K-Ra 1b	124 W	G5	WHITE

#### Accessories



- 427 linear joint



- 429 end cap



- 431 spotlight bracket



- 432



- 435



- 437 Cube with spot



- 441



- 439



- 445 "S" module - Speed



- 481 IP40 Speed

The reported luminous flux is the flux emitted by the light source with a tolerance of ± 10% compared to the indicated value. The W tot column indicates the total wattage absorbed by the system without exceeding 10% of the indicated