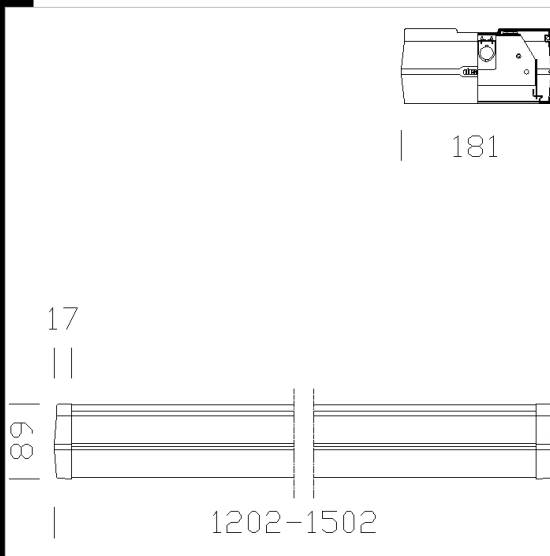


1930 Speed T5 - without diffuser

Housing: galvanized steel stove pre-enamelling with white polyester resin, UV-stabilized, rounded edges for added protection.
 Lampholder: In polycarbonate, with contacts in phosphor bronze. Socket G5.
 Electric gear: 230V/50Hz power supply. Hard wire, 0.50 sqmm cross section, and PVC-HT sheath, resistant up to 90°C, according to CEI 20-20 standards.
 2P+T terminal block, with maximum allowed lead cross section of 2.5 sqmm. each module comes with lamps in a continuous line 3 x 2.5 sq mm.
 Equipment: Quick connectors for electrical line.
 Standard supply: 3.5° protection fuse.
 Emergency version: in maintained version. In the event of a "black out", one single lamp connected to the back-up circuit stays on. Run time 60 minutes. Sketch (see chapter). Versions with 3-hour battery life available upon request.
 Diffuser: the diffuser and all other symmetric or asymmetric, narrow beam or wide beam reflectors can be installed.
 Regulations: Produced according to applicable EN60598-1CEI 34-21 standards, degree of protection according to EN 60529 standards.

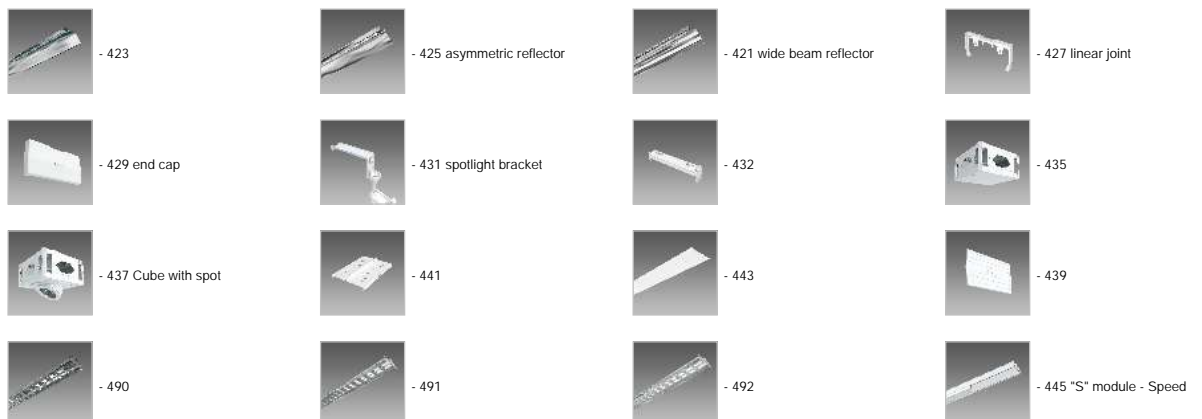
Download

- DXF 2D
- 1930.dxf
- Montaggi
- speed.pdf
- 441 montato.dxf



Code	Gear	Kg	Lumen-K-CRI	WTot	Base	Colour
124402-07	CELLF-E	4.80	FL 2x54-4460lm-4000K-Ra 1b	0 W	G5	WHITE
124400-00	CELL-F	4.00	FL 1x54-4460lm-4000K-Ra 1b	0 W	G5	WHITE
124400-12	CELLF-D	4.00	FL 1x54-4460lm-4000K-Ra 1b	0 W	G5	WHITE
124403-00	CELL-F	5.10	FL 2x49-4350lm-4000K-Ra 1b	0 W	G5	WHITE
124403-07	CELLF-E	5.80	FL 2x49-4350lm-4000K-Ra 1b	0 W	G5	WHITE
124403-12	CELLF-D	4.82	FL 2x49-4350lm-4000K-Ra 1b	0 W	G5	WHITE
124402-00	CELL-F	4.20	FL 2x54-4460lm-4000K-Ra 1b	0 W	G5	WHITE
124401-12	CELLF-D	4.58	FL 1x49-4350lm-4000K-Ra 1b	0 W	G5	WHITE
124400-07	CELLF-E	4.35	FL 1x54-4460lm-4000K-Ra 1b	0 W	G5	WHITE
124402-12	CELLF-D	4.20	FL 2x54-4460lm-4000K-Ra 1b	0 W	G5	WHITE
124401-07	CELLF-E	5.60	FL 1x49-4350lm-4000K-Ra 1b	0 W	G5	WHITE
124401-00	CELL-F	4.90	FL 1x49-4350lm-4000K-Ra 1b	0 W	G5	WHITE

Accessories



The reported luminous flux is the flux emitted by the light source with a tolerance of ± 10% compared to the indicated value. The W tot column indicates the total wattage absorbed by the system without exceeding 10% of the indicated

1930 Speed T5 - without diffuser

Accessories



- 481 IP40 Speed

The reported luminous flux is the flux emitted by the light source with a tolerance of $\pm 10\%$ compared to the indicated value. The W tot column indicates the total wattage absorbed by the system without exceeding 10% of the indicated