



## 1904 Super - LED

Highly flexible in use, Super provides maximum freedom to design lighting systems of any shape and structure. With few fastenings to be used, installation procedures are extremely easy and time saving.

Housing: In hot-dip galvanised rolled steel, with rounded edges protect hands.

Reflector: In Satin steel

Painting: Stove pre-enamelled with white polyester resin, UV-stabilized, upon phosphate treatment.

Standard supply: Provision for the installation of power cable trunking (auxiliary services).

Regulations: Produced according to applicable EN60598-1 CEI 34-21 standards, IP20IK03 degree of protection according to EN 60529 standards if installed on complete with cover. They can be installed on normally inflammable surfaces.

Power factor 0.9

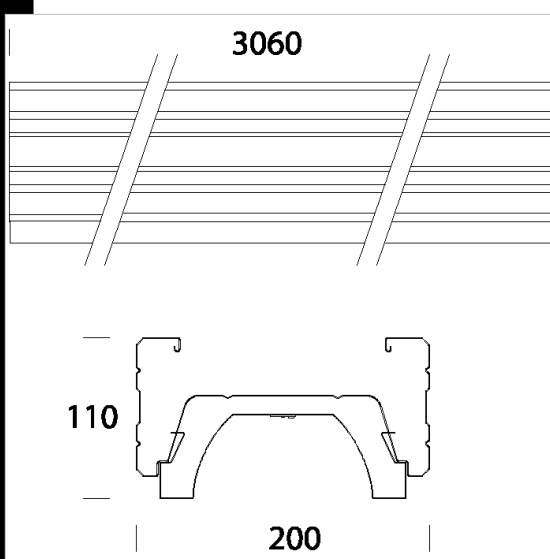
Photobiological safety class: exempt group

On request 1-10V dimmer, dimmable from 10% to 100%

### Download

DXF 2D  
- 1904.dxf

Montaggi  
- super.pdf



Code	Gear	Kg	Lumen Output-K-CRI	WTot	Colour
124340-39	CLD	11,80	LED-6363lm-3000K-CRI>80	63 W	WHITE
124340-00	CLD	9,90	LED-6363lm-4000K-CRI>80	63 W	WHITE
124341-00	CLD	9,00	LED-10965lm-3000K-CRI>80	95 W	WHITE
124342-00	CLD	9,74	LED-11732lm-4000K-CRI>80	95 W	WHITE

### Accessori



- 1914 junction bracket



- 1924 Super end cap



- 1912 cube with hole



- 1925 linear joint



- 1919 angle joint



- 1911 cube

The reported luminous flux is the flux emitted by the light source with a tolerance of  $\pm 10\%$  compared to the indicated value. The W tot column indicates the total wattage absorbed by the system without exceeding 10% of the indicated