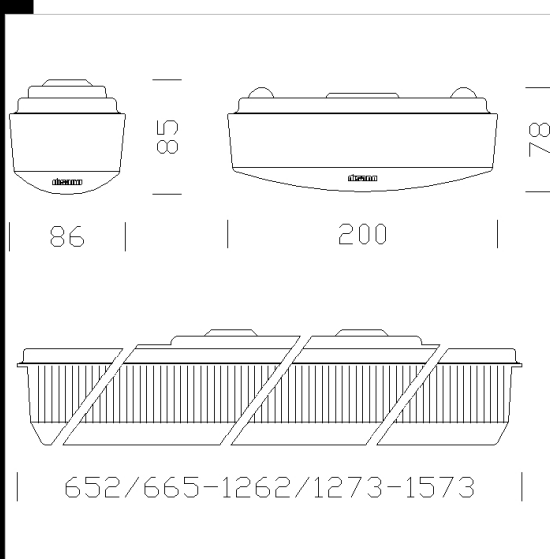


601 Disanlens PX - with plexiglass diffuser

Housing: In sheet steel, pressed in one piece.
 Reflector: In steel, white, UV-stabilized.
 Diffuser: In prismatic Plexiglas; both versions: smooth, dust-proof outside.
 Painting: Acrylic anionic electrocoating, white, UV-stabilized, upon phosphate treatment.
 Lampholder: In polycarbonate, with phosphor bronze contacts.
 Electric gear: 230V/50Hz power supply. Hard wire, 0.50 sqmm cross-section, PVC-HT sheath resistant up to 90°C according to CEI 20-20 standards. 2P+T terminal block with maximum allowed lead cross-section of 2.5 sqmm.
 Regulations: Produced according to applicable EN60598-1 CEI 34 - 21 standards, IP40IK03 degree of protection according to EN 60529 standards. Approved by the Italian Body for Quality Marking (IMO) ENEC. This product can be installed on normally inflammable surfaces.
 Emergency version: In the event of a blackout, one lamp connected to the emergency circuit remains on (maintained version), thus avoiding the inconvenience usually caused by sudden power failure. Its emergency run time is 60 minutes. When power supply is restored, the battery recharges automatically.

Download

DXF 2D
 - d601_1.dxf
 Montaggi
 - disanlens.pdf



Code	Gear	Kg	Lumen-K-CRI	WTot	Base	Colour
116071-08	CEL	1.95	FL 1x36-3350lm-4000K-Ra 1b	35 W	G13	WHITE
116071-12	CEL-D	1.71	FL 1x36-3350lm-4000K-Ra 1b	36 W	G13	WHITE
116070-08	CEL	1.70	FL 1x18-1350lm-4000K-Ra 1b	19 W	G13	WHITE
116074-08	CEL	3.51	FL 2x58-5200lm-4000K-Ra 1b	113 W	G13	WHITE
116070-12	CEL-D	1.10	FL 1x18-1350lm-4000K-Ra 1b	19 W	G13	WHITE
116072-12	CEL-D	1.72	FL 2x18-1350lm-4000K-Ra 1b	39 W	G13	WHITE
116074-12	CEL-D	3.71	FL 2x58-5200lm-4000K-Ra 1b	110 W	G13	WHITE
116073-08	CEL	2.85	FL 2x36-3350lm-4000K-Ra 1b	70 W	G13	WHITE
116072-08	CEL	2.10	FL 2x18-1350lm-4000K-Ra 1b	35 W	G13	WHITE
116073-12	CEL-D	3.02	FL 2x36-3350lm-4000K-Ra 1b	74 W	G13	WHITE
116071-09	CEL-E	2.60	FL 1x36---	40 W	G13	WHITE
116073-09	CEL-E	4.50	FL 2x36---	73 W	G13	WHITE
116074-09	CEL-E	6.60	FL 2x58---	116 W	G13	WHITE

The reported luminous flux is the flux emitted by the light source with a tolerance of ± 10% compared to the indicated value. The W tot column indicates the total wattage absorbed by the system without exceeding 10% of the indicated