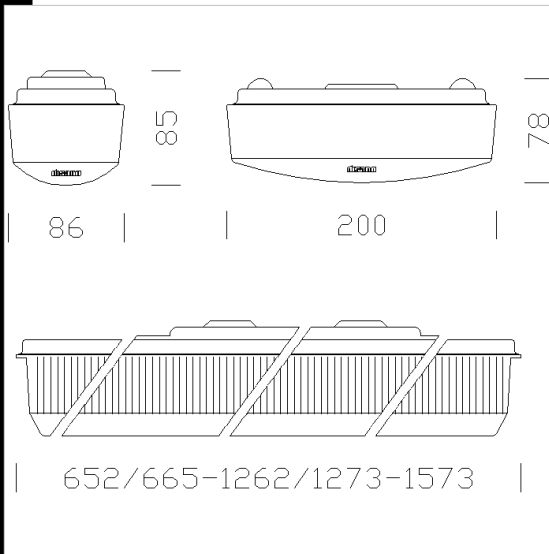
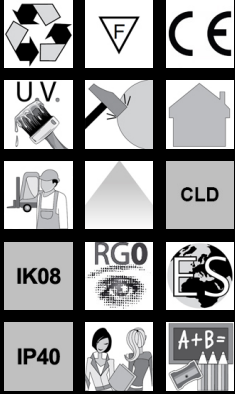




**601 Disanlens - DESIGNED TO FIT LED TUBES**

Housing: In sheet steel, pressed in one piece.  
 Reflector: In steel, white, UV-stabilised.  
 Diffuser: In clear polycarbonate, microprismatic inside, anti-dazzle, vandal resistant and V2 self-extinguishing, UV-stabilised, smooth outside, dustproof.  
 Painting: Acrylic anionic electrocoating, white, UV stabilised, upon phosphate treatment.  
 Regulations: Produced according to applicable EN60598-1 CEI 34 - 21 standards, IP40IK08 degree of protection according to EN 60529 standards.  
 This product can be installed on normally inflammable surfaces.  
 Di serie completa di portalamпада con attacco G13; predisposta per l'installazione diretta di lampade a LED 230Vac.



Download  
 DXF 2D  
 - d601\_1.dxf

Code	Gear	Kg	Lumen Output-K-CRI	WTot	Colour
115570-03	CLD S	0.78	LED TUBE 1x10---	0 W	WHITE
115571-03	CLD S	1.40	LED TUBE 1x16---	0 W	WHITE
115572-03	CLD S	1.48	LED TUBE 2x10---	0 W	WHITE
115573-03	CLD S	3.00	LED TUBE 2x16---	0 W	WHITE
115574-03	CLD S	3.44	LED TUBE 2x24---	0 W	WHITE

The reported luminous flux is the flux emitted by the light source with a tolerance of ± 10% compared to the indicated value. The W tot column indicates the total wattage absorbed by the system without exceeding 10% of the indicated