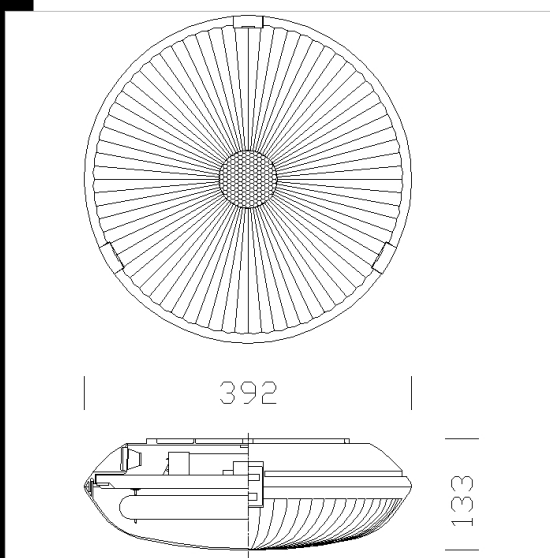


Download

DXF 2D
- d747.dxf

Montaggi
- ap_diff.dxf
- 126.dxf
- pres_mor.dxf
- 123_124.dxf
- assieme.dxf
- i_f_747.dxf



747 Oblo'

Housing: In vandal resistant and self-extinguishing polycarbonate, RAL 7035 grey, UV-stabilized, anti-yellowing.

Diffuser: In clear polycarbonate, matt inside, anti-dazzle, vandal resistant and V2 self-extinguishing, UV-stabilized, smooth outside, dustproof.

Reflector: In reflecting white colour.

Lampholder: In polycarbonate, with contacts in phosphor bronze. Socket G10q.

Electric gear: 230V/50Hz power supply. Hard wire, 0.50 sqmm cross section, and PVC-HT sheath, resistant up to 90°C, according to CEI 20-20 standards. 2P+T terminal block, with maximum allowed lead cross section of 2.5 sqmm.

Regulations: Produced according to applicable EN60598-1 CEI 34-21 standards IP65IK08 degree of protection according to EN 60529 standards. They have obtained the ENEC European Certificate of Conformity. These products can be installed on normally inflammable surfaces. Double insulation class.

Emergency light version: If a black-out occurs, only one lamp connected to the emergency circuit will stay on, thus avoiding the inconvenience caused by a sudden absence of all light. It has a 60-minute emergency run time. When power is restored, the battery recharges automatically.

Code	Gear	Kg	Lumen-K-CRI	WTot	Base	Colour
112631-09	CELL-E	1,80	FC 32-2100lm-4000K-Ra 1b	39 W	G10q	GREY
112631-08	CELL	1,74	FC 32-2100lm-4000K-Ra 1b	36 W	G10q	GREY

The reported luminous flux is the flux emitted by the light source with a tolerance of ± 10% compared to the indicated value. The W tot column indicates the total wattage absorbed by the system without exceeding 10% of the indicated