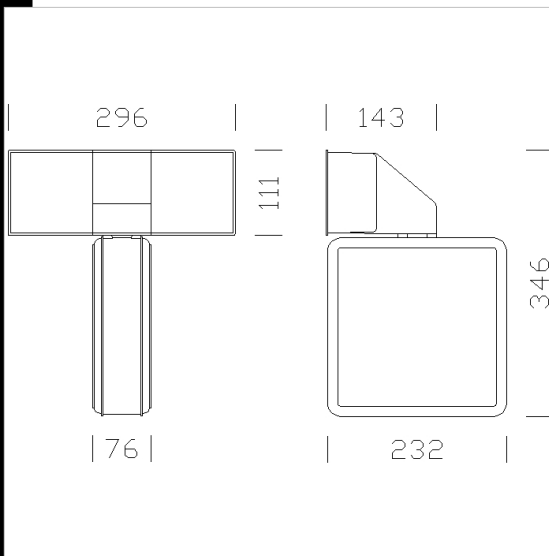


626 Segno - module with EM warning sign



Housing: In vandal resistant and self-extinguishing polycarbonate, grey RAL 7035, UV stabilized, anti-yellowing.  
 Diffuser: In clear vandal resistant and V2 self-extinguishing polycarbonate. UV-stabilized. Rotation: from 0° to 330°.  
 Lampholder: In polycarbonate, with phosphor bronze contacts. Socket 2G7.  
 Electric gear: 230V/50Hz power supply with emergency kit in maintained version. Hard wire, 0.50 sqmm cross section and PVC-HT sheath, resistant up to 90°C according to CEI 20-20 standards. 2P+T terminal block, with maximum allowed lead cross section of 2.5 sqmm.  
 Equipment: Complete with white, vandal resistant, V2 extinguishing polycarbonate frame.  
 Standard supply: Self-adhesive pictographs available.  
 Mounting: Wall or ceiling.  
 Regulations: Produced according to applicable EN60598-1 - CEI 34-21 standards, IP40IK07 degree of protection according to EN 60529 standards. These products can be installed on normally inflammable surfaces.  
 Emergency light version: If a black-out occurs, only one lamp connected to the emergency circuit will stay on, thus avoiding the inconvenience caused by a sudden absence of all light. It has a 60-minute emergency run time. When power is restored, the battery recharges automatically.



Code	Gear	Kg	Lumen-K-CRI	WTot	Base	Colour
112551-00	CNL-E	2.22	FLC 1x18D/E-1200lm-4000K-Ra 1b FLC 1x18D/E-1200lm-4000K-Ra 1b	29 W	G24q-2 G24q-2	GREY

CNL-E  

U.V.  90°

EM 

IK07 IP40 



Download  
 DXF 2D  
 - d626\_2.dxf  
 Montaggi  
 - 626-segno.pdf

The reported luminous flux is the flux emitted by the light source with a tolerance of ± 10% compared to the indicated value. The W tot column indicates the total wattage absorbed by the system without exceeding 10% of the indicated