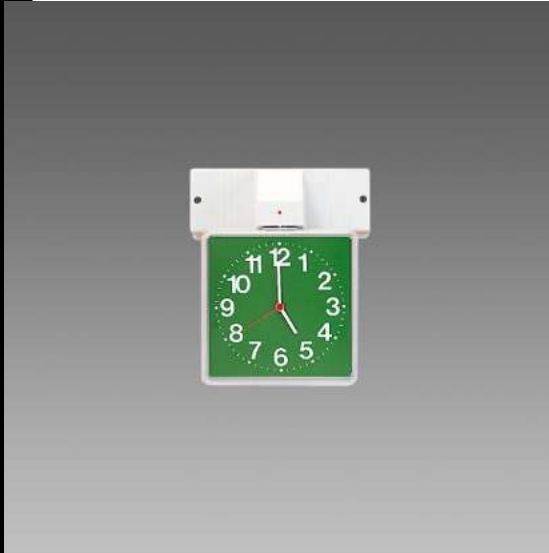


Download

DXF 2D
- d626_1.dxf



626 Segno - module with EM clock

Housing: In vandal resistant and V2 self-extinguishing polycarbonate, grey RAL 7035, UV stabilized, anti-yellowing.

Diffuser: In white vandal resistant and V2 self-extinguishing polycarbonate. UV-stabilized, anti-yellowing.

Lampholder: In white polycarbonate, with phosphor bronze contacts. Socket 2G7.

Electric gear: 230V/50Hz power supply with emergency kit in maintained version. Hard wire, 0.50 sqmm cross section and PVC-HT sheath, resistant up to 90°C according to CEI 20-20 standards. 2P+T polycarbonate terminal block, with maximum allowed lead cross section of 2.5 sqmm.

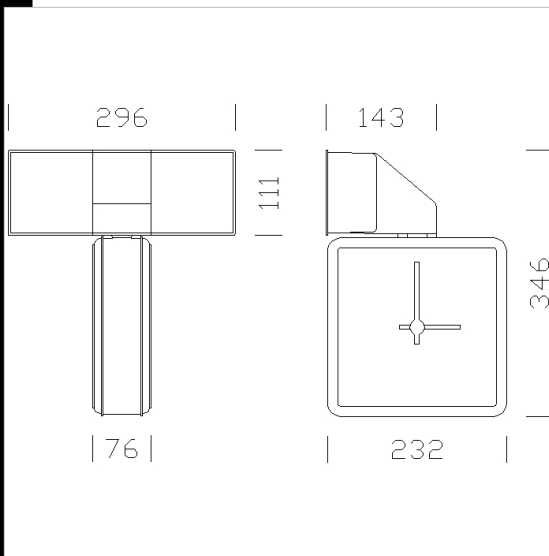
Equipment: Complete with white vandal resistant, V2 self-extinguishing polycarbonate frame.

Standard supply: Self-adhesive pictographs with safety warnings may be attached or version with quartz clock

Mounting: Wall or ceiling.

Regulations: Produced according to applicable EN60598-1 CEI 34-21 standards, IP40IK07 degree of protection. These products can be installed on normally inflammable surfaces. Double insulation.

Emergency light version: If a black-out occurs, only one lamp connected to the emergency circuit will stay on, thus avoiding the inconvenience caused by a sudden absence of all light. It has a 60-minute emergency run time. When power is restored, the battery recharges automatically.



Code	Gear	Kg	Lumen-K-CRI	WTot	Base	Colour
112550-00	CNL-E	2,60	FLC 1x11S/E-900lm-4000k-Ra 1b	19 W	2G7	GREY

The reported luminous flux is the flux emitted by the light source with a tolerance of $\pm 10\%$ compared to the indicated value. The W tot column indicates the total wattage absorbed by the system without exceeding 10% of the indicated