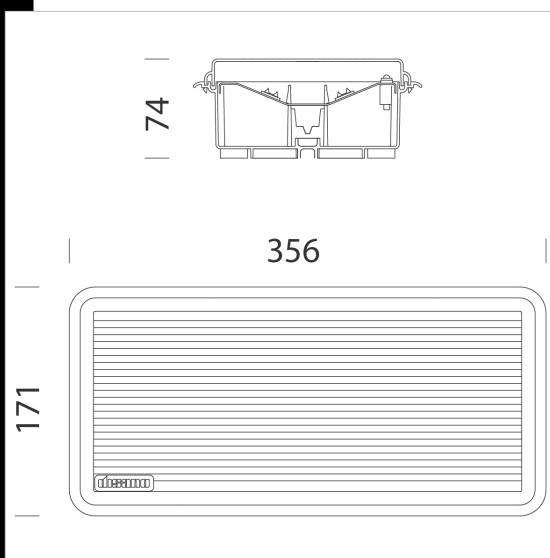


617 Safety 1h S.A.

Housing: vandal-resistant, self-extinguishing, UV-stabilized, anti-yellowing grey polycarbonate. Diffuser: vandal resistant, V2 self-extinguishing, UV-stabilise, anti-glare frosted inside; smooth. S.E. Emergency (Only emergency): in the event of a black-out the one lamp connected to the back-up circuit ignites, thus avoiding the inconvenience caused by a sudden absence of all light. Emergency run time: 60/180 minutes. When power is restored, the battery recharges automatically in 12 hours. S.A. Emergency (Maintained): in the event of a black-out the one lamp connected to the back-up circuit stays on, thus avoiding the inconvenience caused by a sudden absence of all light. When power is restored, the battery recharges automatically in 12 hours. LED: Power factor: 0,92. Luminous flux maintenance 80%: 50.000h (L80B20).



Code	Gear	Kg	Lumen Output-K-CRI	WTot	Colour
112545-00	CLD-E	0,79	LED-677lm-4000K-CRI 80	7 W	GREY
112545-0066	CLD-E	1,10	LED-677lm-4000K-CRI 80	8 W	GREY

Accessori



- 323 Label



Download

DXF 2D  
- safled.dxf

BIM  
- 617 Safety 1h S.A - 20200528.zip

The reported luminous flux is the flux emitted by the light source with a tolerance of ± 10% compared to the indicated value. The W tot column indicates the total wattage absorbed by the system without exceeding 10% of the indicated