



## 616 Safety permanent 1 hr emergency S.E.

Housing: Vandal-resistant, self-extinguishing, UV-stabilized, anti-yellowing grey polycarbonate, .

Diffuser: Vandal resistant, V2 self-extinguishing, UV-stabilised clear polycarbonate, anti-glare frosted inside; smooth, dust-proof outside

Reflector: Reflecting white polycarbonate.

Lampholder: Polycarbonate with phosphorous bronze contacts

Electric gear: ~230V-240/60Hz power supply with electronic ballast. Hard wire, cross-section 0.50 sqmm, and high-temperature resistant (up to 90°C) PVC-HT sheath, in accordance with CEI 20-20 standards. 2P terminal block (maximum allowed lead cross-section 2.5 sqmm.).

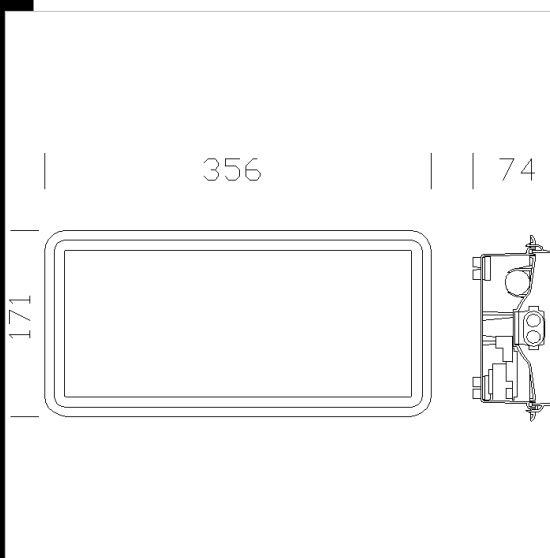
Equipment: Rubber cable gland  $\varnothing$  1/2 inch gas thread (min cable  $\varnothing$  9, max  $\varnothing$  12 mm) to maintain IP65 protection. Standard inspection LED

Regulations: Manufactured in compliance with EN60598 - CEI 34 -21 standards. The level of protection complies with the EN60529 standard.

S.E. Emergency (Only emergency): In the event of a black-out the one lamp connected to the back-up circuit stays on, thus avoiding the inconvenience caused by a sudden absence of all light.

Emergency run time: 60 minutes. When power is restored, the battery recharges automatically in 12 hours.

On request: with troubleshooting (sub-code -0066).



### Download

DXF 2D  
- 616\_7\_8\_9.dxf

Montaggi  
- 614-5-6-7-8-9\_safety.pdf  
- safety1.dxf  
- safety2.dxf

| Code        | Gear  | Kg   | Lumen-K-CRI                   | WTot | Base | Colour |
|-------------|-------|------|-------------------------------|------|------|--------|
| 112531-0066 | CEM-L | 0.83 | FLC 1x11S/E-900lm-4000k-Ra 1b | 0 W  | 2G7  | GREY   |
| 112532-0066 | CEM-L | 0.96 | FLC 1x18L-1200lm-4000K-Ra 1b  | 0 W  | 2G11 | GREY   |
| 112531-00   | CEM-L | 0.83 | FLC 1x11S/E-900lm-4000k-Ra 1b | 0 W  | 2G7  | GREY   |
| 112530-0066 | CEM-L | 0.88 | FL 8-430lm-4000K-Ra 1b        | 0 W  | G13  | GREY   |
| 112530-00   | CEM-L | 0.86 | FL 8-430lm-4000K-Ra 1b        | 0 W  | G13  | GREY   |
| 112532-00   | CEM-L | 0.94 | FLC 1x18L-1200lm-4000K-Ra 1b  | 0 W  | 2G11 | GREY   |

### Accessories



- 322 Baffle plate for asymmetry

The reported luminous flux is the flux emitted by the light source with a tolerance of  $\pm 10\%$  compared to the indicated value. The W tot column indicates the total wattage absorbed by the system without exceeding 10% of the indicated