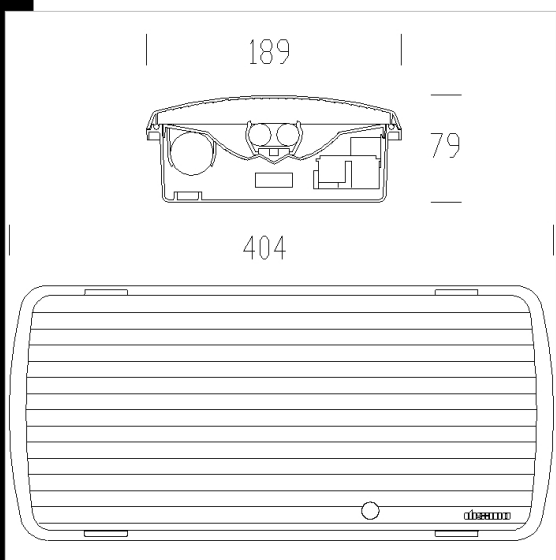




**611 Safety only 1hr maintained emergency S.A.**

Housing: Vandal-resistant, self-extinguishing, UV-stabilized, anti-yellowing grey polycarbonate, .  
 Diffuser: Vandal resistant, V2 self-extinguishing, UV-stabilised clear polycarbonate, anti-glare frosted inside; smooth, dust-proof outside  
 Reflector: Reflecting white polycarbonate.  
 Lampholder: Polycarbonate with phosphorous bronze contacts  
 Electric gear: ~230V-240/60Hz power supply with electronic ballast. Hard wire, cross-section 0.50 sqmm, and high-temperature resistant (up to 90°C) PVC-HT sheath, in accordance with CEI 20-20 standards. 2P terminal block (maximum allowed lead cross-section 2.5 sqmm).  
 Equipment: Rubber cable gland ø 1/2 inch gas thread (min cable ø 9, max ø 12 mm) to maintain IP65 protection. Standard inspection LED  
 Regulations: Manufactured in compliance with EN60598 - CEI 34 -21 standards. The level of protection complies with the EN60529 standard.  
 S.A. Emergency (Maintained): In the event of a black-out the one lamp connected to the back-up circuit stays on, thus avoiding the inconvenience caused by a sudden absence of all light.  
 Emergency run time: 60 minutes. When power is restored, the battery recharges automatically in 12 hours.  
 On request: with troubleshooting (sub-code -0066).



Code	Gear	Kg	Lumen-K-CRI	WTot	Base	Colour
112470-00	CELL-E	1.27	FLC 1x18L-1200lm-4000K-Ra 1b	22 W	2G11	GREY
112471-00	CELL-E	1.27	FLC 1x24L-1800lm-4000K-Ra 1b	29 W	2G11	GREY

**Accessories**



- 457 outer shell



- 458 labels

The reported luminous flux is the flux emitted by the light source with a tolerance of ± 10% compared to the indicated value. The W tot column indicates the total wattage absorbed by the system without exceeding 10% of the indicated