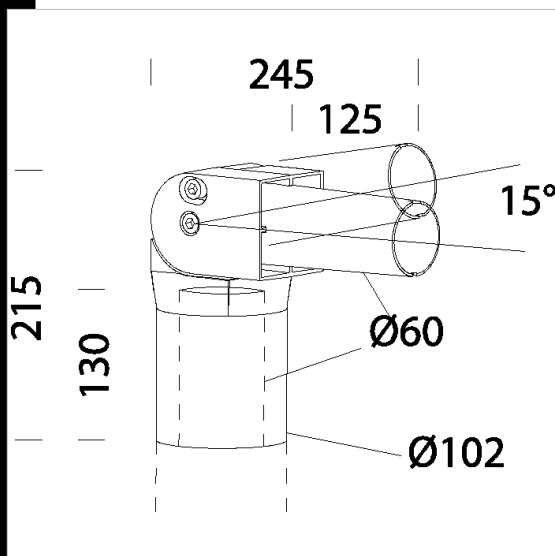
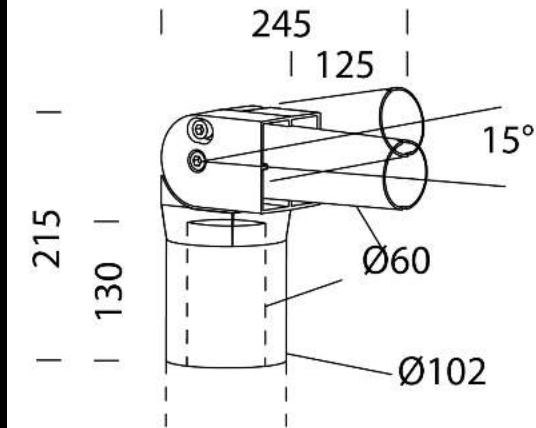


Download  
DXF 2D  
- 290.dxf



Code	Kg	WTot	Colour
991442-00	1,15	0 W	GRAFITE

Prodotti



- 3315 Pordoi - con vetro



- 3318 Pordoi - Asimmetrico



- 3320 Pordoi 4 - LED - Stradale



- 3321 Pordoi 5 - LED -



- 3317 Pordoi - Arredo Urbano

The reported luminous flux is the flux emitted by the light source with a tolerance of  $\pm 10\%$  compared to the indicated value. The W tot column indicates the total wattage absorbed by the system without exceeding 10% of the indicated